

LED

PANEL LIGHT



MELODY INT'L GROUP LTD

Tel: +86-750-3329553

sales@melody-lighting.com

www.melody-lighting.com

SKYPE: melody-sales

Address: 16BLD, Chunhuiyuan, Longlinxilu, Pengjiangqu, Jiangmen, Guangdong, China

Contents

NORTH AMERICA

UL LED Panel Light..... 01

EUROPE

Intelligent Bluetooth APP LED Panel Light..... 05

Intelligent Bluetooth APP LED Glass Panel Light..... 07

LED plant grow light..... 09

Bright Moon LED Panel Light 11

Jade LED Panel Light..... 13

Ceiling LED Panel Light..... 15

Butt joint LED Panel Light..... 17

ON/OFF color change and dimming LED Panel Light..... 19

Bright Stars LED Panel Light..... 21

Round LED panel light..... 23

Square LED panel light..... 25

Surface Mounted Round LED panel light..... 27

Surface Mounted Square LED panel light..... 29

Five generations LED Panel Light..... 31

Ocean Star LED Panel Light 33

2T LED Panel Light..... 35

NORTH AMERICA



UL LED Panel Light



4.2 Advanced version
125lm/W

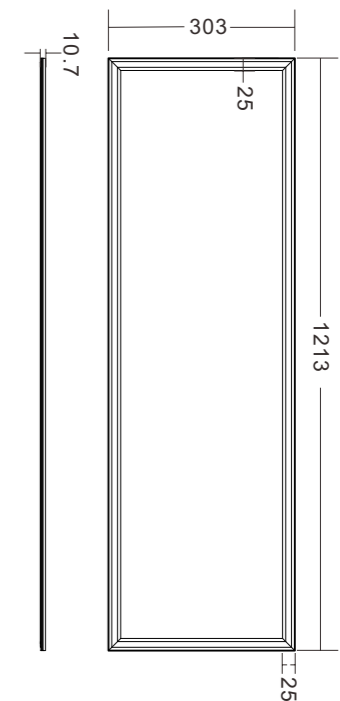
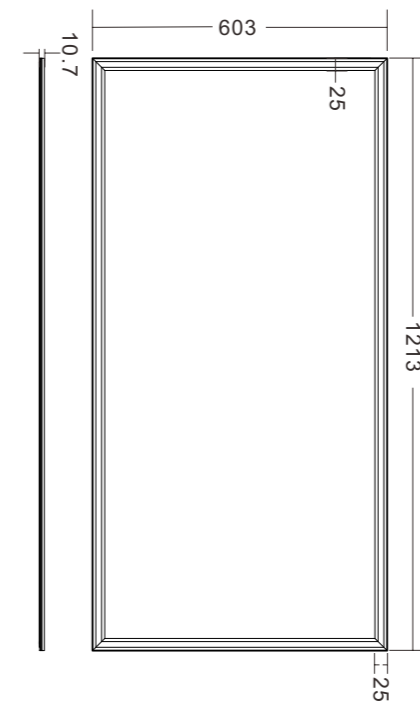
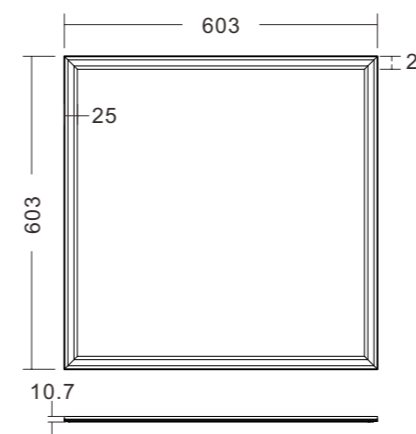
CE RoHS



NORTH AMERICA



unit:mm



PRODUCT FEATURES

LED Panel uses aerometal shell, The product is thick and strong,very simple and fashionable.Different sprayed colors available for your choice; It takes high brightness LED lamp, side-emitting design, ultra thin height; Use constant current driver,No flicker, no glare, very soft and even light; High light efficiency , low power consumption, save much energy, Lift time could reach 50,000 hrs, Easily embedded installation,Support 0-10v dimming.

1. High efficiency & energy saving. Under the condition of the same illumination,, it saves more than 67% energy compared with the traditional lamp.
2. Long life span, using semiconductor chip as the light resource, the life can be over 50,000hrs.
3. No UV & IR . It won't distribute ray radiation
4. Eco-friendly, No Hg & Xe ,or other harmful element. Recyclable, also it won't generate EMI.
5. High-performance external constant current driver, flat and smooth frame, very easy to clean.

MODEL	POWER	LUMENS	CCT	PF	SIZE
MD-LPL-L1X4-40XX	40W	5000lm	2700-6500K	>0.9	303*1213*10.5mm
MD-LPL-L2X2-40XX	40W	5000lm	2700-6500K	>0.9	603*603*10.5mm
MD-LPL-L2X4-50XX	50W	6250lm	2700-6500K	>0.9	1213*603*10.5mm

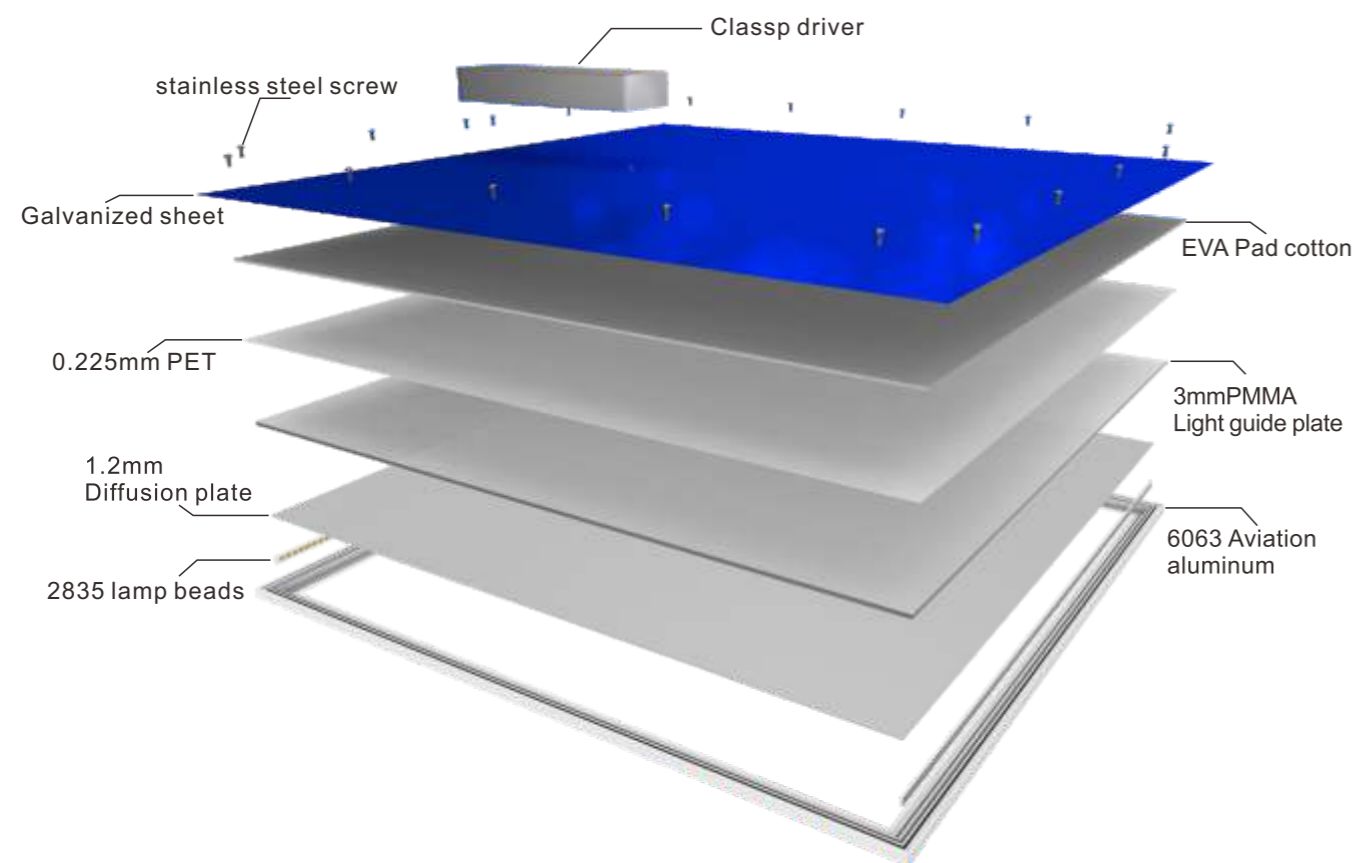
VOLTAGE
AC100-277V 50/60Hz

LIFE SPAN
>50000Hrs

BEAM ANGLE
120DEG

IP GRADE
IP20

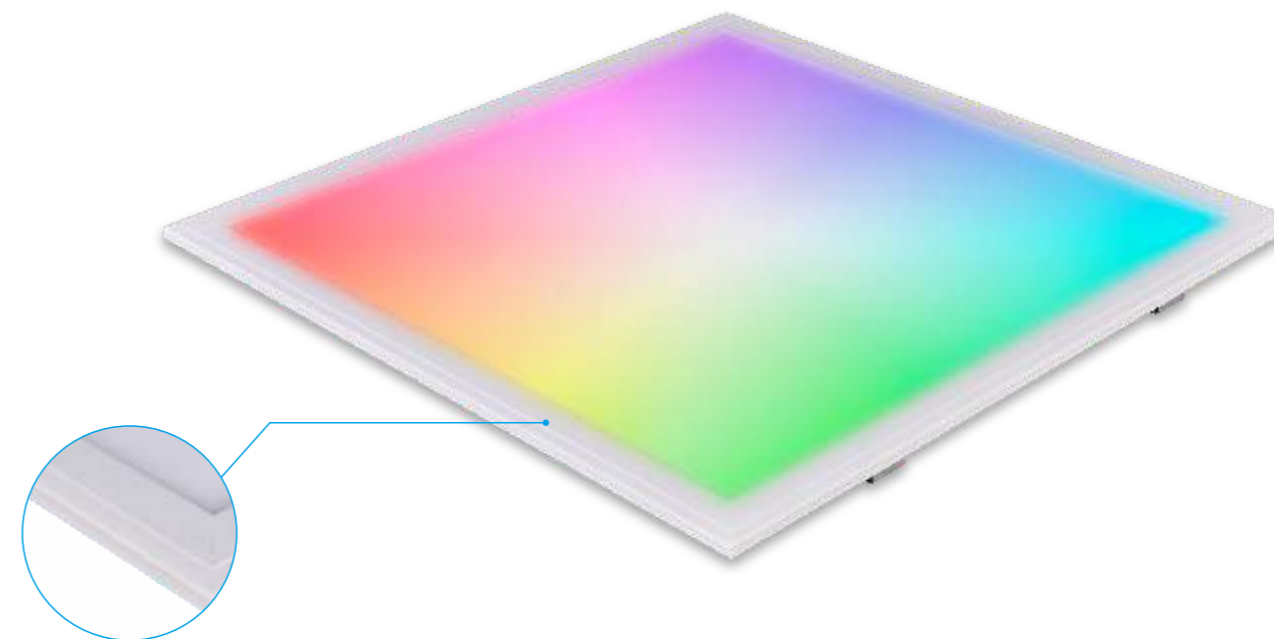
UL LED Panel Light Decomposition diagram



EUROPE



Intelligent Bluetooth APP LED Panel Light

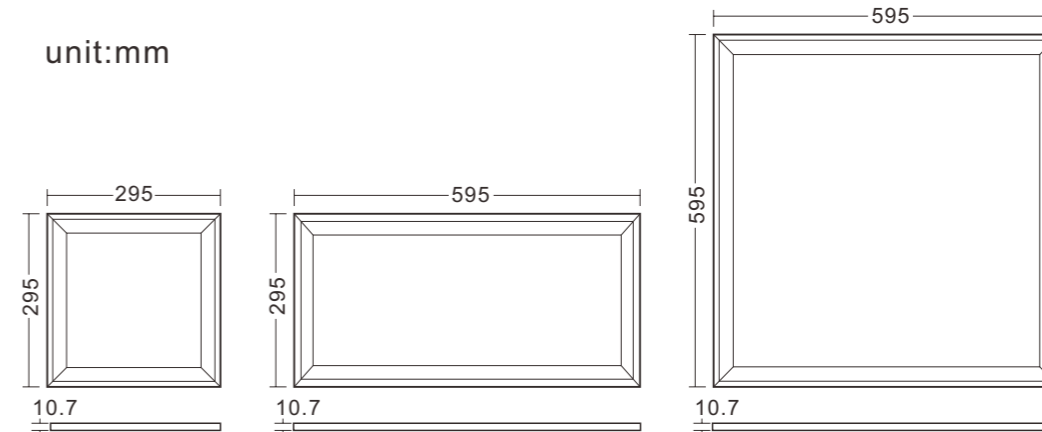


PRODUCT FEATURES

LED Panel uses aero metal shell, very simple and fashionable. Support voice and WIFI remote control, Use constant current and constant voltage drive. Loading the mobile phone Bluetooth APP remote control system, can realize the set of RGB color, and long-distance electrodeless dimming control of color temperature, and various music scene mode, for single product control distance is 15~20 meters, with network function, can be controlled through signal transmission between the products, so as to realize the different application of lighting in rooms.

1. Control Methods: Smartphones(Android&iOS), Remote, Control-panel.
2. Stepless Dimming: Brightness adjustable range within 1%-100% and CCT changing within 2700-6500K.
3. Set Colors: 16+million colors are choosable at the touch of palette.
4. Control Multiple Bulbs: Support managing Ad-Hoc network.
5. Control Multiple Bulbs: Support managing Ad-Hoc network, Achieve group control the bulbs, Group or Individually.

unit:mm



MODEL	POWER	CCT	PF	SIZE
MD-LPL-R2929 -20-LY	20W	RGB/2700-6500K	>0.9	295*295*10.7mm
MD-LPL-R2959-30-LY	30W	RGB/2700-6500K	>0.9	295*595*10.7mm
MD-LPL-R5959-40-LY	40W	RGB/2700-6500K	>0.9	595*595*10.7mm



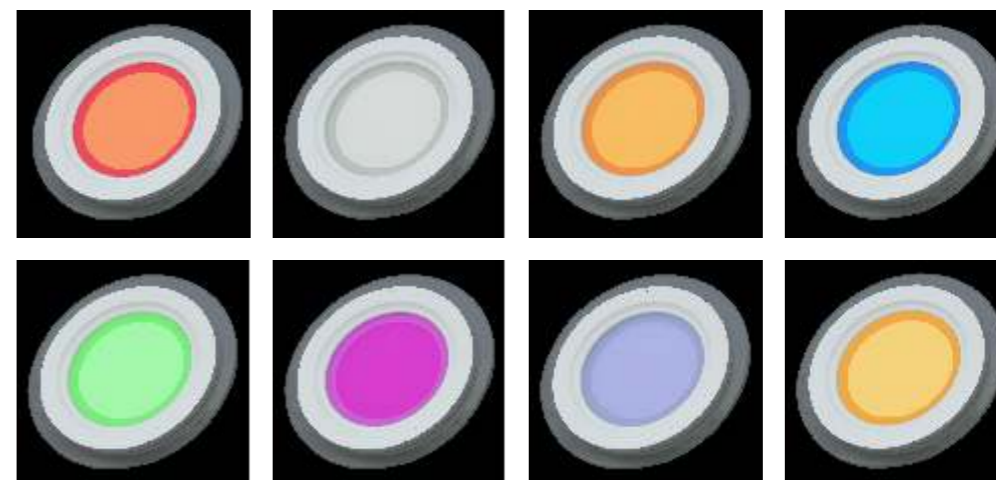


PRODUCT FEATURES

LED Panel uses aero metal shell, very simple and fashionable. Support voice and WIFI remote control, Use constant current and constant voltage drive. Loading the mobile phone Bluetooth APP remote control system, can realize the set of RGB color, and long-distance electrodeless dimming control of color temperature, and various music scene mode, for single product control distance is 15~20 meters, with network function, can be controlled through signal transmission between the products, so as to realize the different application of lighting in rooms.

1. Control Methods: Smartphones (Android&iOS), Remote, Control-panel.
2. Stepless Dimming: Brightness adjustable range within 1%-100% and CCT changing within 2700-6500K.
3. Set Colors: 16+million colors are choosable at the touch of palette.
4. Control Multiple Bulbs: Support managing Ad-Hoc network.
5. Control Multiple Bulbs: Support managing Ad-Hoc network, Achieve group control the bulbs, Group or Individually.

Intelligent Bluetooth APP LED Glass Panel Light



MODEL	POWER	CCT	CUT SIZE	SIZE
MD-RPL-G100-6-LY	6W	RGB/2700-6500K	ø75mm	ø100*40mm
MD-RPL-G160-12-LY	12W	RGB/2700-6500K	ø125mm	ø160*40mm
MD-RPL-G200-18-LY	18W	RGB/2700-6500K	ø165mm	ø200*40mm





LED plant grow light



PRODUCT FEATURES

1. Uses 3- 5 w imitation lumens high-power LED lamp as light source.
2. Higher actual power, actual power>65%.
3. Optional of lens: 30°,45°,60°,90°,120°.
4. Wide voltage power supply AC100-277V/47-63Hz, adapt to any countries and regions PF>0.9.
5. Environmental Protection: the product does not contain pollutants and harmful substances, products through the ROHS certification.
6. Strong: Shell material is 1.0 mm iron pedal gold molding, high temperature paint coating surface.
7. Good heat dissipation: Aluminum PCB substrate close to large surface area of high quality aluminum radiator, each radiator supplemented by high-speed brushless mute fan. There are heat dissipation air holes around the shell.
8. Working temperature: - 20 °C- 40 °C, relative humidity 40% RH- 40% RH.

MODEL	POWER	ACTUAL POWER	SIZE
MD-PG5P300	300W	185W	240×345×80mm
MD-PG5P600	600W	380W	420×345×80mm
MD-PG5P900	900W	550W	575×345×80mm
MD-PG5P1200	1200W	750W	780×345×80mm





Ceiling installation



Adsorption installation



E27 installation

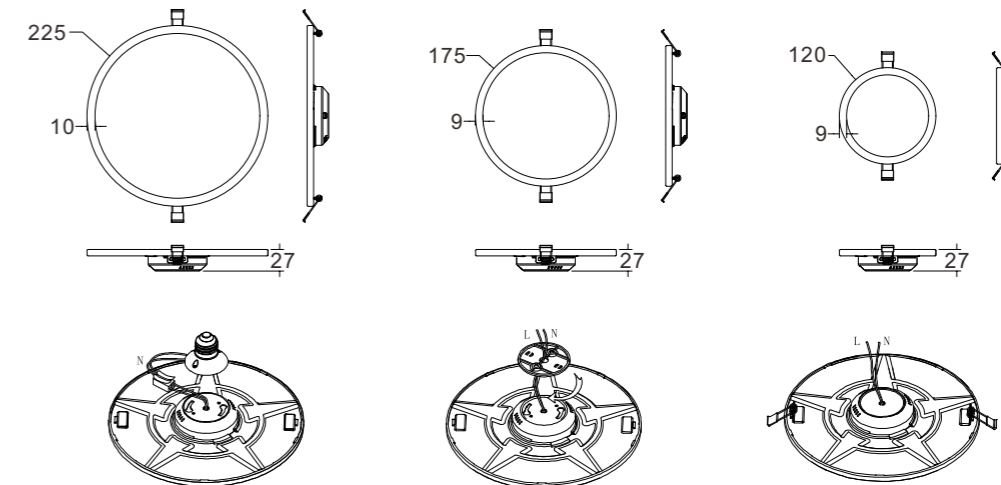
PRODUCT FEATURES

Products using PC + AL (engineering plastics + aluminum) structure, the whole light light without screws, power integrated design products simple and elegant, the power can be replaced to facilitate the maintenance of design, uniform light and soft, supports a variety of installation methods: 1. Ceiling Installation 2 Embedded Installation 3.E27 / B22 Installation.

- 1.High efficiency & energy saving. Under the condition of the same illumination, it saves more than 67% energy compared with the traditional lamp.
- 2.Long life span, using semiconductor chip as the light resource, the life can be over 50,000hrs.
- 3.No UV & IR. It won't distribute ray radiation
- 4.Eco-friendly, No Hg & Xe ,or other harmful element. Recyclable, also it won't generate EMI.
- 5.High-performance external constant current driver, flat and smooth frame, very easy to clean.

Bright Moon LED Panel Light

CE RoHS



unit:mm

MODEL	POWER	LUMENS	CCT	HOLE SIZE	SIZE
MD-RPL-Z225-6	6W	420lm	3000/4000/6000K	Ø105mm	Ø120*27mm
MD-RPL-Z225-12	12W	900lm	3000/4000/6000K	Ø155mm	Ø175*27mm
MD-RPL-Z225-18	18W	1440lm	3000/4000/6000K	Ø210mm	Ø225*27mm

VOLTAGE AC100-240V 50/60Hz LIFE-SPAN >50000Hrs BEAM ANGLE 110DEG IP GRADE IP20

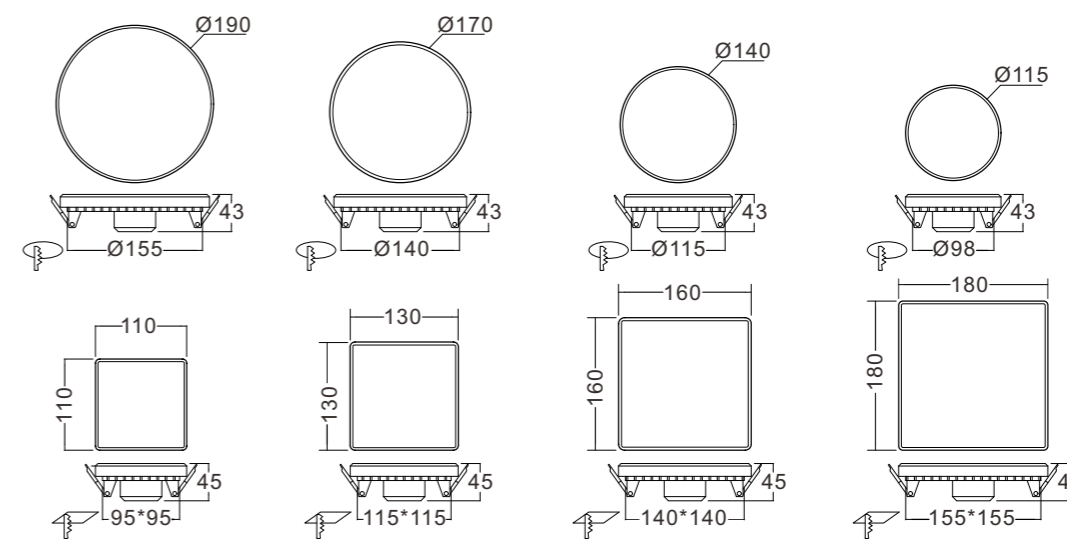


PRODUCT FEATURES

Product using plastic materials, PC light guide cover and PA heat-conducting plastics that make product safer and more stable. No frame of the whole light, the luminescence area is larger as well as light efficiency is higher. Driver and light integration, embedded design, installation is easier and faster.

- 1.High efficiency & energy saving. Under the condition of the same illumination., it saves more than 67% energy compared.
- 2.With the traditional lamp.
- 3.Long life span, using semiconductor chip as the light resource, the life can be over 50,000hrs.
- 4.No UV & IR . It won't distribute ray radiation.
- 5.Eco-friendly, No Hg & Xe , or other harmful element. Recyclable, also it won't generate EMI.
- 6.High performance external constant current drivers, good for eyesight protection.

Jade LED Panel Light



unit:mm

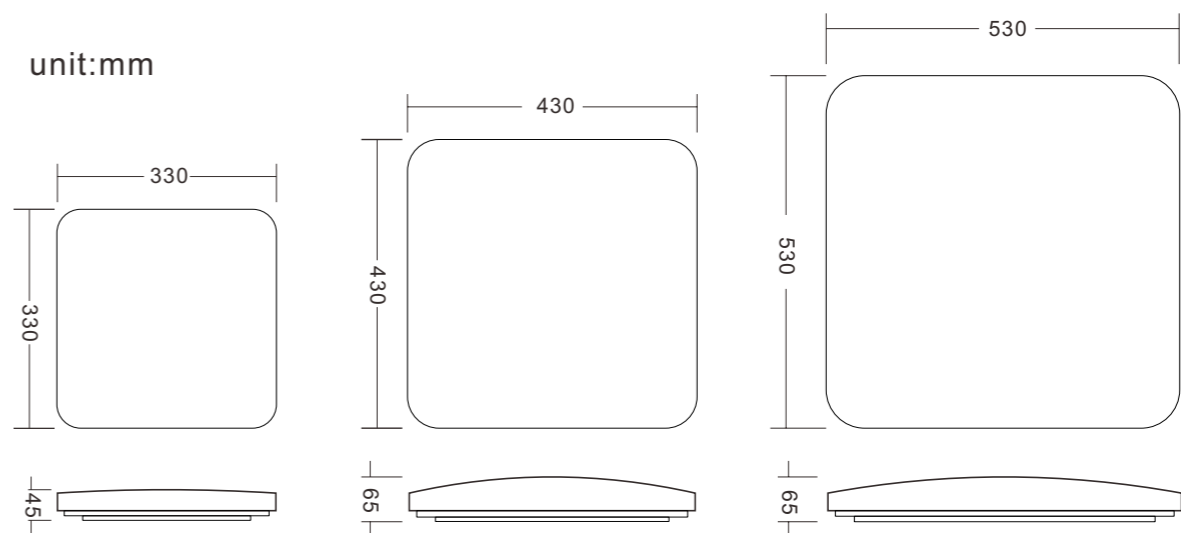
MODEL	POWER	LUMENS	CCT	CUT SIZE	SIZE
MD-RPL-Y115-10	10W	1000lm	2800-6500K TYP =6500K	Ø98mm	Ø115*43mm
MD-RPL-Y140-15	15W	1500lm	2800-6500K TYP =6500K	Ø115mm	Ø140*43mm
MD-RPL-Y170-20	20W	2100lm	2800-6500K TYP =6500K	Ø140mm	Ø170*43mm
MD-RPL-Y190-25	25W	2700lm	2800-6500K TYP =6500K	Ø155mm	Ø190*43mm
MD-RPL-Y110-10	10W	1000lm	2800-6500K TYP =6500K	95*95mm	115*115*45mm
MD-LPL-Y130-15	15W	1500lm	2800-6500K TYP =6500K	115*115mm	130*130*45mm
MD-LPL-Y160-20	20W	2100lm	2800-6500K TYP =6500K	140*140mm	160*160*45mm
MD-LPL-Y180-25	25W	2700lm	2800-6500K TYP =6500K	155*155mm	180*180*45mm





Ceiling LED Panel Light

CE RoHS



PRODUCT FEATURES

Products adopt PMMA lampshade + sheet metal chassis design, overall frivolous contracted, luminous uniform, soft, no glare. Can be realized through the switch that move light function, can at 3000 k, 4000 k, 6000 k, the night light switch mode order, also can through the remote control function of the promise that move light toning color temperature is achieved, and the brightness of the conversion. Easy installation suction a top and beautiful.

MODEL	POWER	LUMENS	CCT	SIZE
MD-LPL-X3333-24	24W	168lm	3000/4000/6000K	330*330*45mm
MD-LPL-X4343-36	36W	2520lm	3000/4000/6000K	430*430*65mm
MD-LPL-X5353-48	48W	3360lm	3000/4000/6000K	530*530*65mm

VOLTAGE AC180-270V 50/60Hz LIFE-SPAN >30000Hrs BEAM ANGLE 120DEG IP GRADE IP20



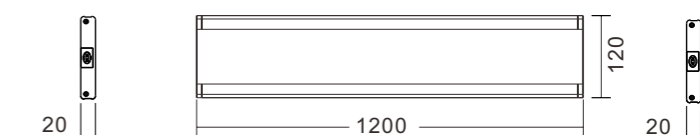
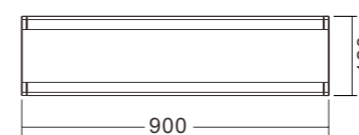
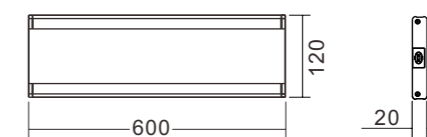
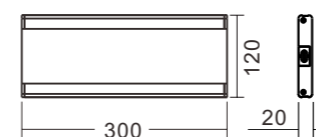
PRODUCT FEATURES

Panel uses aerometal shell, very simple and fashionable . Different sprayed colors available for your choice, It takes high brightness led lamp, sideemitting design, ultra thin height; Use internal constant current driver, No flicker, no glare, very soft and even light, High light efficiency , low power consumption, save much energy ,Lift time could reach 50,000hrs, Ceiling and suspending installation method.

1. High efficiency & energy saving. Under the condition of the same illumination,, it saves more than 67% energy compared with the traditional lamp.
2. Long life span, using semiconductor chip as the light resource, the life can be over 50,000hrs.
3. No UV & IR . It won't distribute ray radiation.
4. Eco-friendly, No Hg & Xe ,or other harmful element. Recyclable, also it won't generate EMI.
5. High performance internal constant current drivers, free flickering available, good for eyesight protection;
6. Panel can joint together, max length reach to 18m and power reach to 600w.
7. Can do SCR dimming, AC110 / 220V, PF> 0.9.

Butt joint LED Panel Light

CE RoHS



unit:mm

MODEL	POWER	LUMENS	PF	CCT	SIZE
MD-LPL-P300/2835-10	10W	700lm	>0.9	3000K/4000K/6000K	300*120*20mm
MD-LPL-P600/2835-20	20W	1400lm	>0.9	3000K/4000K/6000K	600*120*20mm
MD-LPL-P900/2835-30	30W	2100lm	>0.9	3000K/4000K/6000K	900*120*20mm
MD-LPL-P1200/2835-40	40W	2800lm	>0.9	3000K/4000K/6000K	1200*120*20mm

VOLTAGE AC100-240V 50/60Hz LIFE-SPAN >50000Hrs BEAM-ANGLE 110DEG IP-GRADE IP20

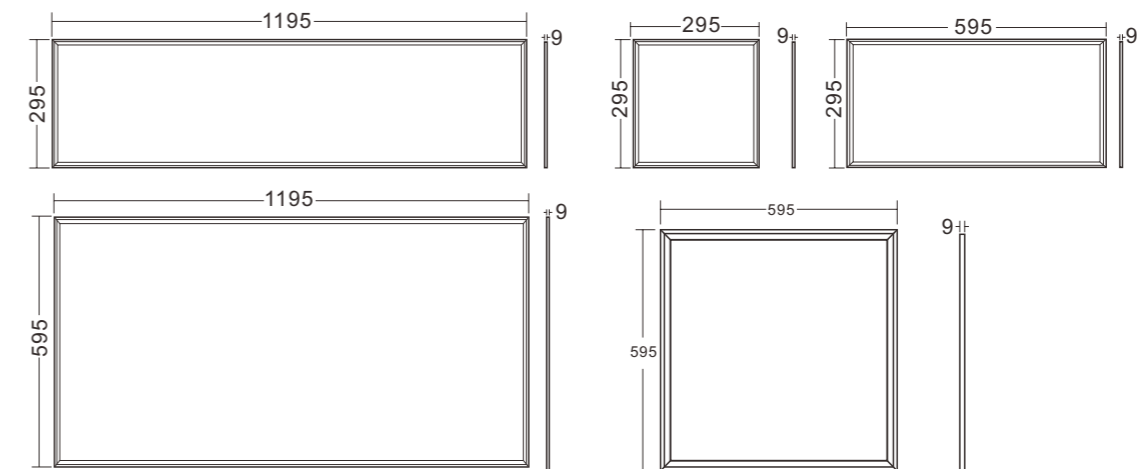


PRODUCT FEATURES

LED Panel adopts aerometal shell with neat and fashionable design. Different sprayed colors available for your choice, It takes super brightness 2835 LED and take out 4 pattern dimming function ,applied different requirement. Adopt IC driver ,high light efficiency , low power consumption, energy saving. Its lifespan could reach 50,000 hours. It can make surface mounted and suspending to the ceiling.

- 1.High efficiency & energy saving. Under the condition of the same illumination,, it saves more than 67% energy compared with the traditional lamp.
- 2.Long life span, using semiconductor chip as the light resource, the life can be over 50,000hrs.
- 3.No UV & IR . It won't distribute ray radiation.
- 4.Eco-friendly, No Hg & Xe , or other harmful element. Recyclable, also it won't generate EMI.
- 5.High-performance external constant current driver, flat and smooth frame, very easy to clean.
- 6.Can do SCR dimming, AC110 / 220V, PF> 0.9.

ON/OFF color change and dimming LED Panel Light



unit:mm

MODEL	POWER	LUMENS	CCT	SIZE
MD-LPL-D2929/2835-40-T	20W	1600lm	3000/4000/6000K	295*295*9mm
MD-LPL-D2959/2835-40-T	25W	2000lm	3000/4000/6000K	295*595*9mm
MD-LPL-D5959/2835-40-T	40W	3200lm	3000/4000/6000K	595*595*9mm
MD-LPL-D29119/2835-40-T	40W	3200lm	3000/4000/6000K	295*119*9mm
MD-LPL-D59119/2835-40-T	60W	4800lm	3000/4000/6000K	595*119*9mm



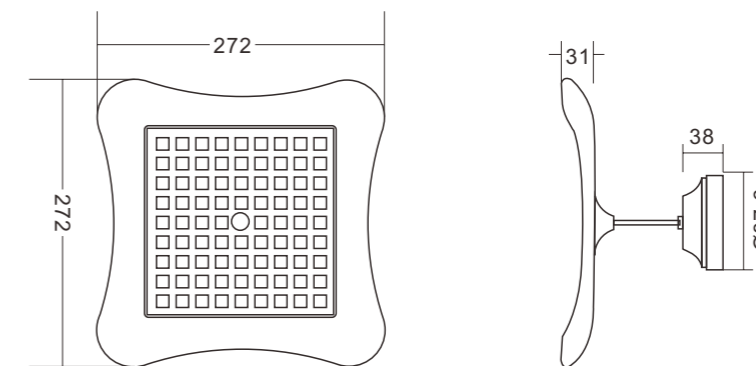


PRODUCT FEATURES

LED panel uses Iron plate shell, very simple and fashionable . Different sprayed colors available for your choice, It takes high brightness led lamp, ultra thin height, Use constant current driver, No flicker, no glare, very soft and even light, High light efficiency , low power consumption, save much energy ,Lift time could reach 50,000 hrs, Easily embedded installation.

Bright Stars LED Panel Light

CE RoHS



unit:mm

MODEL	POWER	LUMENS	CCT	SIZE
MD-LPL-M272/2835-18	18W	1980±150lm	3000/4000/6000K	272*272mm
MD-LPL-M272/2835-24	24W	2640±150lm	3000/4000/6000K	272*272mm

VOLTAGE AC100-240V 50/60Hz LIFE-SPAN >50000Hrs BEAM ANGLE 120DEG IP GRADE IP20



Round LED panel light

CE RoHS  



PRODUCT FEATURES

LED panel uses aerometal shell, very simple and fashionable . It takes high brightness led lamp, side-emitting design, ultra thin height; Use constant current driver;No flicker, no glare, very soft and even light;High light efficiency , low power consumption, save much energy ; Lift time could reach 30,000 hrs;Easily embedded installation.

- 1.High efficiency & energy saving. Under the condition of the same illumination,, it saves more than 67% energy compared with the traditional lamp.
- 2.Long life span, using semiconductor chip as the light resource, the life can be over 30,000hrs.
- 3.No UV & IR . It won't distribute ray radiation
- 4.Eco-friendly, No Hg & Xe , or other harmful element. Recyclable, also it won't generate EMI.
- 5.High performance external constant current drivers , good for eyesight protection;
- 6.Can do SCR dimming, AC110 / 220V.

MODEL	POWER	LUMENS	CCT	PF	HOLE SIZE	SIZE
MD-RPL-J85/2835C-3	3W	170lm	2800-6500K	>0.5	Ø75mm	Ø85*12mm
MD-RPL-J120/2835C-6	6W	360lm	2800-6500K	>0.5	Ø105mm	Ø120*12mm
MD-RPL-J150/2835C-9	9W	630lm	2800-6500K	>0.5	Ø135mm	Ø150*12mm
MD-RPL-J170/2835C-12	12W	900lm	2800-6500K	>0.5	Ø155mm	Ø170*12mm
MD-RPL-J190/2835C-15	15W	1200lm	2800-6500K	>0.5	Ø175mm	Ø190*12mm
MD-RPL-J225/2835C-18	18W	1440lm	2800-6500K	>0.5	Ø210mm	Ø225*12mm
MD-RPL-J240/2835C-24	24W	1920lm	2800-6500K	>0.5	Ø225mm	Ø240*12mm

 VOLTAGE AC100-240V 50/60Hz  LIFE-SPAN >30000Hrs  BEAM ANGLE 110DEG  IP GRADE IP20



Square LED panel light



PRODUCT FEATURES

LED panel uses aerometal shell, very simple and fashionable . It takes high brightness led lamp, side-emitting design, ultra thin height;Use constant current driver;No flicker, no glare, very soft and even light;High light efficiency , low power consumption, save much energy ; Lift time could reach 30,000 hrs;Easily embedded installation.

- 1.High efficiency & energy saving. Under the condition of the same illumination,, it saves more than 67% energy compared with the traditional lamp.
- 2.Long life span, using semiconductor chip as the light resource, the life can be over 30,000hrs.
- 3.No UV & IR . It won't distribute ray radiation.
- 4.Eco-friendly, No Hg & Xe , or other harmful element. Recyclable, also it won't generate EMI.
- 5.High performance external constant current drivers , good for eyesight protection.
- 6.Can do SCR dimming, AC110 / 220V.

MODEL	POWER	LUMENS	CCT	PF	HOLE SIZE	SIZE
MD-LPL-J8585/2835C-3	3W	170lm	2800-6500K	>0.5	75*75mm	85*85*12mm
MD-LPL-J1212/2835C-6	6W	360lm	2800-6500K	>0.5	105*105mm	120*120*12mm
MD-LPL-J1515/2835C-9	9W	630lm	2800-6500K	>0.5	135*135mm	150*150*12mm
MD-LPL-J1717/2835C-12	12W	900lm	2800-6500K	>0.5	155*155mm	170*170*12mm
MD-LPL-J1919/2835C-15	15W	1200lm	2800-6500K	>0.5	175*175mm	190*190*12mm
MD-LPL-J2222/2835C-18	18W	1440lm	2800-6500K	>0.5	210*210mm	225*225*12mm
MD-LPL-J2424/2835C-24	24W	1920lm	2800-6500K	>0.5	225*225mm	240*240*12mm





Surface Mounted Round LED panel light



PRODUCT FEATURES

LED panel uses aerometal shell, very simple and fashionable . It takes high brightness led lamp, side-emitting design, ultra thin height;Use constant current driver;No flicker, no glare, very soft and even light;High light efficiency , low power consumption, save much energy ;Lift time could reach 30,000 hrs;Easily embedded installation.

- 1.High efficiency & energy saving. Under the condition of the same illumination,, it saves more than 67% energy compared with the traditional lamp.
- 2.Long life span, using semiconductor chip as the light resource, the life can be over 30,000hrs.
- 3.No UV & IR . It won't distribute ray radiation.
- 4.Eco-friendly, No Hg & Xe , or other harmful element. Recyclable, also it won't generate EMI.
- 5.High performance external constant current drivers , good for eyesight protection.
- 6.Can do SCR dimming, AC110 / 220V.

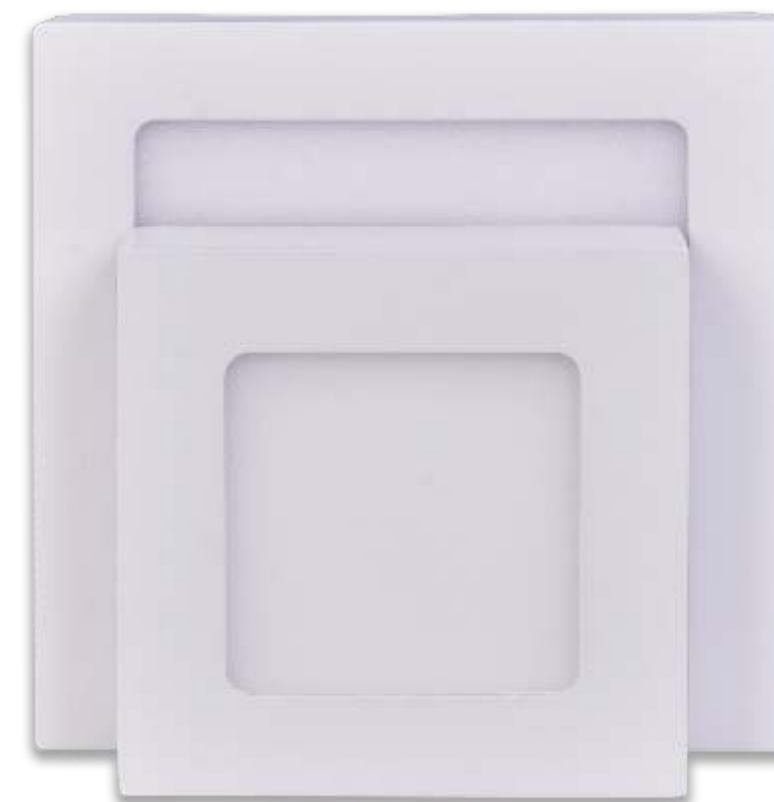
MODEL	POWER	LUMENS	CCT	PF	SIZE
MD-RPL-M120/2835CB-6	6W	360lm	2800-6500K	>0.5	ø120*40mm
MD-RPL-M170/2835CB-12	12W	900lm	2800-6500K	>0.5	ø170*40mm
MD-RPL-M225/2835CB-18	18W	1440lm	2800-6500K	>0.5	ø225*40mm
MD-RPL-M235/2835CB-24	24W	1920lm	2800-6500K	>0.5	ø235*40mm





Surface Mounted Square LED panel light

CE RoHS



PRODUCT FEATURES

LED panel uses aerometal shell, very simple and fashionable . It takes high brightness led lamp, side-emitting design, ultra thin height;Use constant current driver;No flicker, no glare, very soft and even light;High light efficiency , low power consumption, save much energy ;Lift time could reach 30,000 hrs;Easily embedded installation.

- 1.High efficiency & energy saving. Under the condition of the same illumination,, it saves more than 67% energy compared with the traditional lamp.
- 2.Long life span, using semiconductor chip as the light resource, the life can be over 30,000hrs.
- 3.No UV & IR . It won't distribute ray radiation.
- 4.Eco-friendly, No Hg & Xe , or other harmful element. Recyclable, also it won't generate EMI.
- 5.High performance external constant current drivers , good for eyesight protection.
- 6.Can do SCR dimming, AC110 / 220V, PF> 0.9.

MODEL	POWER	LUMENS	CCT	PF	SIZE
MD-LPL-M120/2835CB-6	6W	360lm	2800-6500K	>0.5	120*120*40mm
MD-LPL-M170/2835CB-12	12W	900lm	2800-6500K	>0.5	170*170*40mm
MD-LPL-M225/2835CB-18	18W	1440lm	2800-6500K	>0.5	225*225*40mm
MD-LPL-M235/2835CB-24	24W	1920lm	2800-6500K	>0.5	235*235*40mm

VOLTAGE
AC100-240V 50/60Hz

LIFE-SPAN
>30000Hrs

BEAM-ANGLE
110DEG

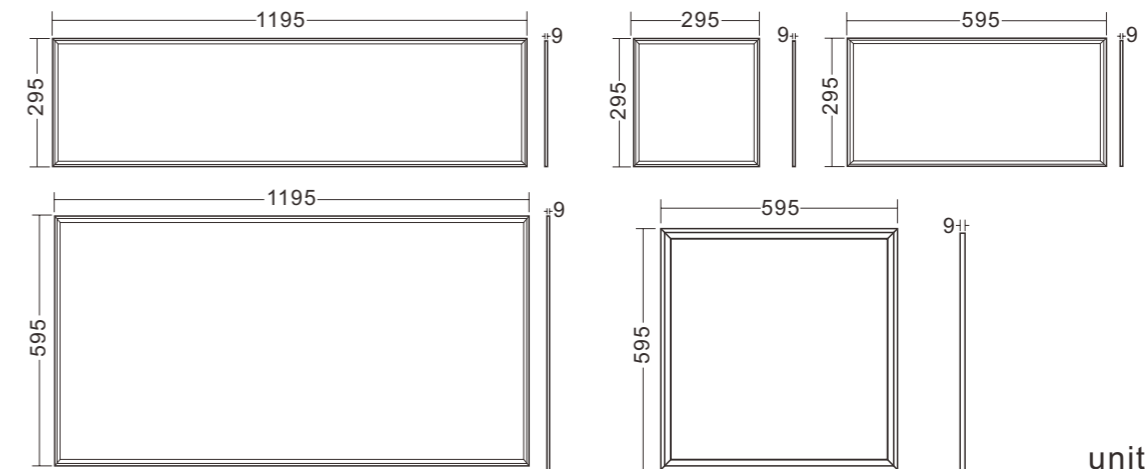
IP-GRADE
IP20



Five generations LED Panel Light



Note: Can do 2.4G dimmable.



unit:mm

PRODUCT FEATURES

LED Panel uses aerometal shell, very simple and fashionable. Mute white and silver; It takes high brightness led lamp, side-emitting design, ultra thin height; Use constant current driver, No flicker, no glare, very soft and even light; High light efficiency, low power consumption, save much energy, Life time could reach 50,000 hrs, Easily embedded installation.

1. High efficiency & energy saving. Under the condition of the same illumination, it saves more than 67% energy
2. Compared with the traditional lamp.
3. Long life span, using semiconductor chip as the light resource, the life can be over 50,000hrs.
4. No UV & IR. It won't distribute ray radiation
5. Eco-friendly, No Hg & Xe, or other harmful element. Recyclable, also it won't generate EMI.
6. High-performance external constant current driver, flat and smooth frame, very easy to clean.
7. Can do SCR dimming, AC110 / 220V.

MODEL	POWER	LUMENS	CCT	PF	SIZE
MD-LPL-D2929/2835-20	20W	1800lm	3000/4000/6000K	>0.9	295*295*9mm
MD-LPL-D2959/2835-25	25W	2250lm	3000/4000/6000K	>0.9	295*595*9mm
MD-LPL-D29119/2835-40	40W	3600lm	3000/4000/6000K	>0.9	295*1195*9mm
MD-LPL-D5959/2835-40	40W	3600lm	3000/4000/6000K	>0.9	595*595*9mm
MD-LPL-D59119/2835-60	60W	5400lm	3000/4000/6000K	>0.9	595*1195*9mm





Ocean Star LED Panel Light

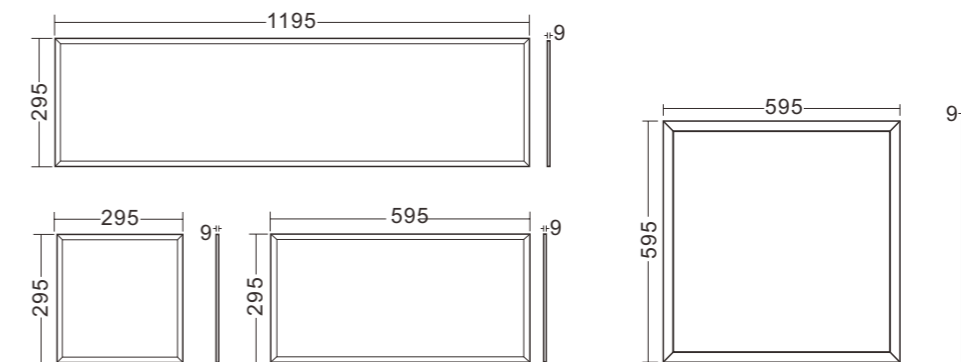


Note: Can do 2.4G dimmable.

PRODUCT FEATURES

LED Panel uses aerometal shell, very simple and fashionable. Mute white and silver; It takes high brightness LED lamp, side-emitting design, ultra thin height; Use constant current driver, No flicker, no glare, very soft and even light; High light efficiency, low power consumption, save much energy, Life time could reach 50,000 hrs, Easily embedded installation.

1. High efficiency & energy saving. Under the condition of the same illumination, it saves more than 67% energy compared with the traditional lamp.
2. Long life span, using semiconductor chip as the light resource, the life can be over 50,000hrs.
3. No UV & IR. It won't distribute ray radiation.
4. Eco-friendly, No Hg & Xe, or other harmful element. Recyclable, also it won't generate EMI.
5. High-performance external constant current driver, flat and smooth frame, very easy to clean.
6. Can do SCR dimming, AC110 / 220V.



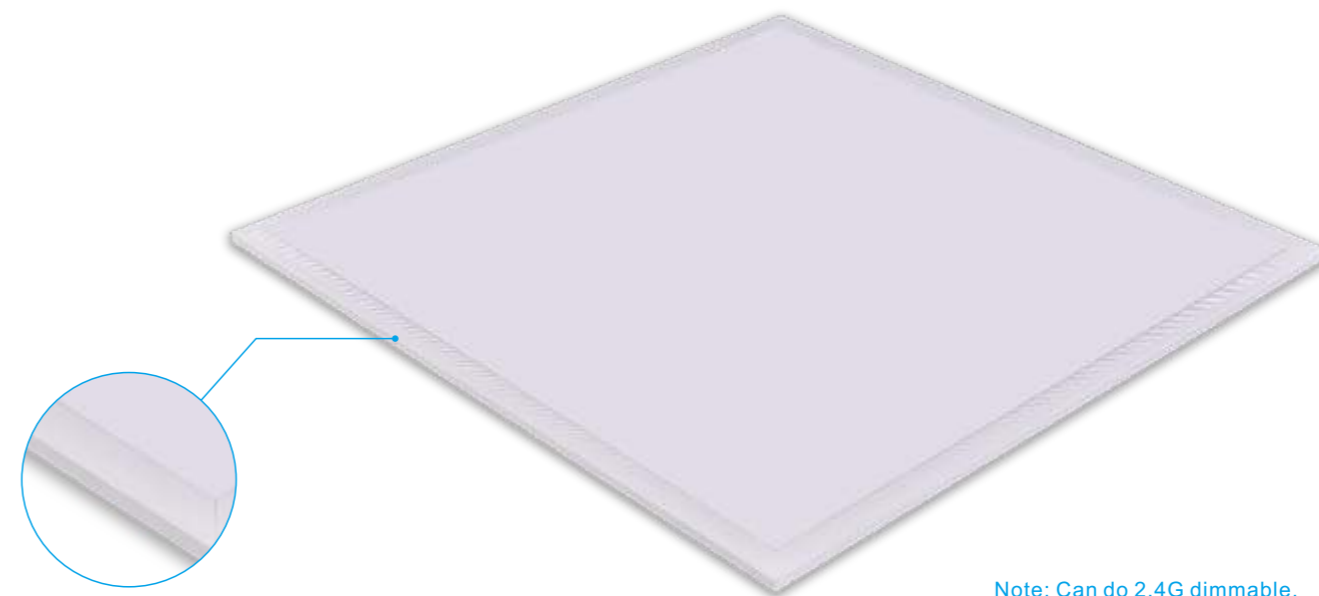
unit:mm

MODEL	POWER	LUMENS	CCT	PF	SIZE
MD-LPL-H2929/2835-20	20W	1600±100lm	3000/4000/6000K	>0.9	295*295*9mm
MD-LPL-H2959/2835-20	20W	1600±100lm	3000/4000/6000K	>0.9	295*595*9mm
MD-LPL-H29119/2835-40	40W	3200±100lm	3000/4000/6000K	>0.9	295*1195*9mm
MD-LPL-H5959/2835-36	36W	2880±100lm	3000/4000/6000K	>0.9	595*595*9mm

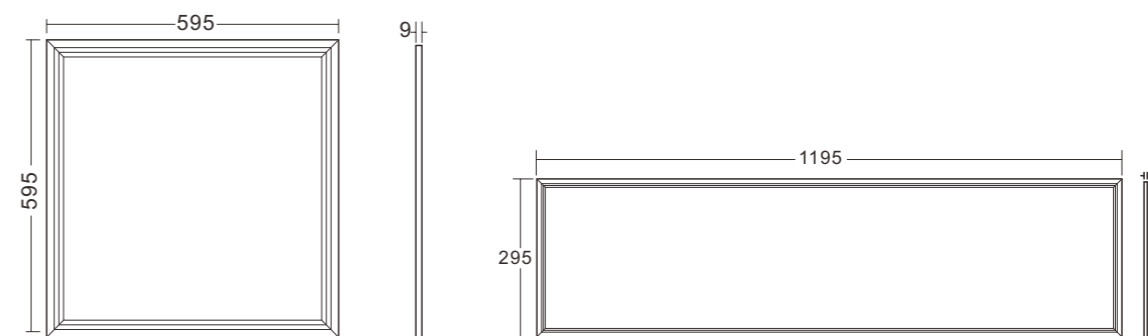




2T LED Panel Light



Note: Can do 2.4G dimmable.



unit:mm

PRODUCT FEATURES

LED Panel uses aerometal shell, very simple and fashionable. Mute white and silver; It takes high brightness LED lamp, side-emitting design, ultra thin height; Use constant current driver, No flicker, no glare, very soft and even light; High light efficiency, low power consumption, save much energy, Life time could reach 50,000 hrs, Easily embedded installation.

1. High efficiency & energy saving. Under the condition of the same illumination, it saves more than 67% energy compared with the traditional lamp.
2. Long life span, using semiconductor chip as the light resource, the life can be over 50,000hrs.
3. No UV & IR. It won't distribute ray radiation.
4. Eco-friendly, No Hg & Xe, or other harmful element. Recyclable, also it won't generate EMI.
5. High-performance external constant current driver, flat and smooth frame, very easy to clean.
6. Can do SCR dimming, AC110 / 220V.

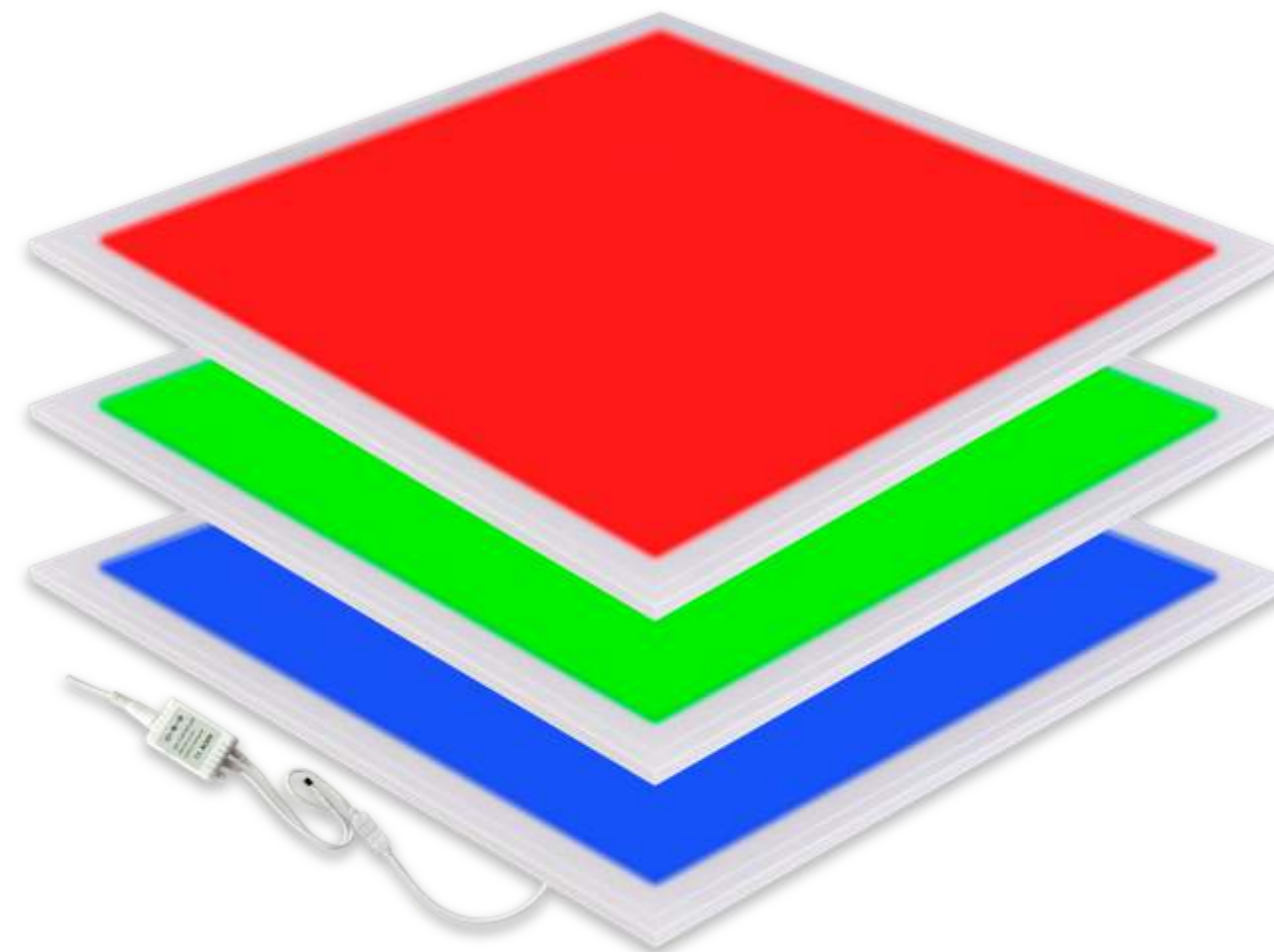
MODEL	POWER	LUMENS	CCT	PF	SIZE
MD-LPL-L5959/2835-36	36W	2800lm	3000/4000/6000K	>0.9	595*595*9mm
MD-LPL-L5959/2835-40	40W	3200lm	3000/4000/6000K	>0.9	595*595*9mm
MD-LPL-L29119/2835-36	40W	3200lm	3000/4000/6000K	>0.9	295*1195*9mm





2T LED Panel Light

CE RoHS



PRODUCT FEATURES

LED panel LED Panel adopts aerometal shell with neat and fashionable design. Different sprayed colors available for your choice. It takes super brightness 2835 LED and take out 4 pattern dimming function ,applied different requirement. Adopt IC driver ,high light efficiency , low power consumption, energy saving. Its lifespan could reach 50,000 hours. It can make surface mounted and suspending to the ceiling.

1. High efficiency & energy saving. Under the condition of the same illumination,, it saves more than 67% energy compared with the traditional lamp.
2. Long life span, using semiconductor chip as the light resource, the life can be over 50,000hrs.
3. No UV & IR . It won't distribute ray radiation
4. Eco-friendly, No Hg & Xe. or other harmful element. Recyclable, also it won't generate EMI.
5. High-performance external constant current driver, flat and smooth frame, very easy to clean

MODEL	POWER	LUMENS	CCT	PF	SIZE
MD-LPL-L5959/RGB3535	40W	/	R:625nm G:520 B:470nm	>0.5/0.9	595*595*9mm

VOLTAGE AC100-240V 50/60Hz LIFE-SPAN >30000Hrs BEAM ANGLE 120DEG IP GRADE IP20