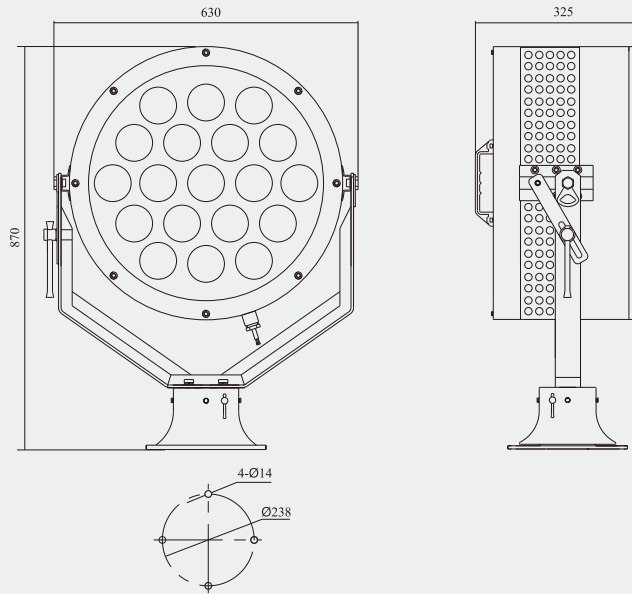
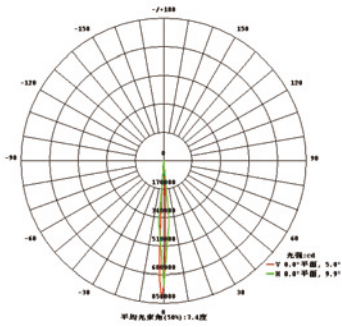


## 探照灯 SEARCHLIGHT

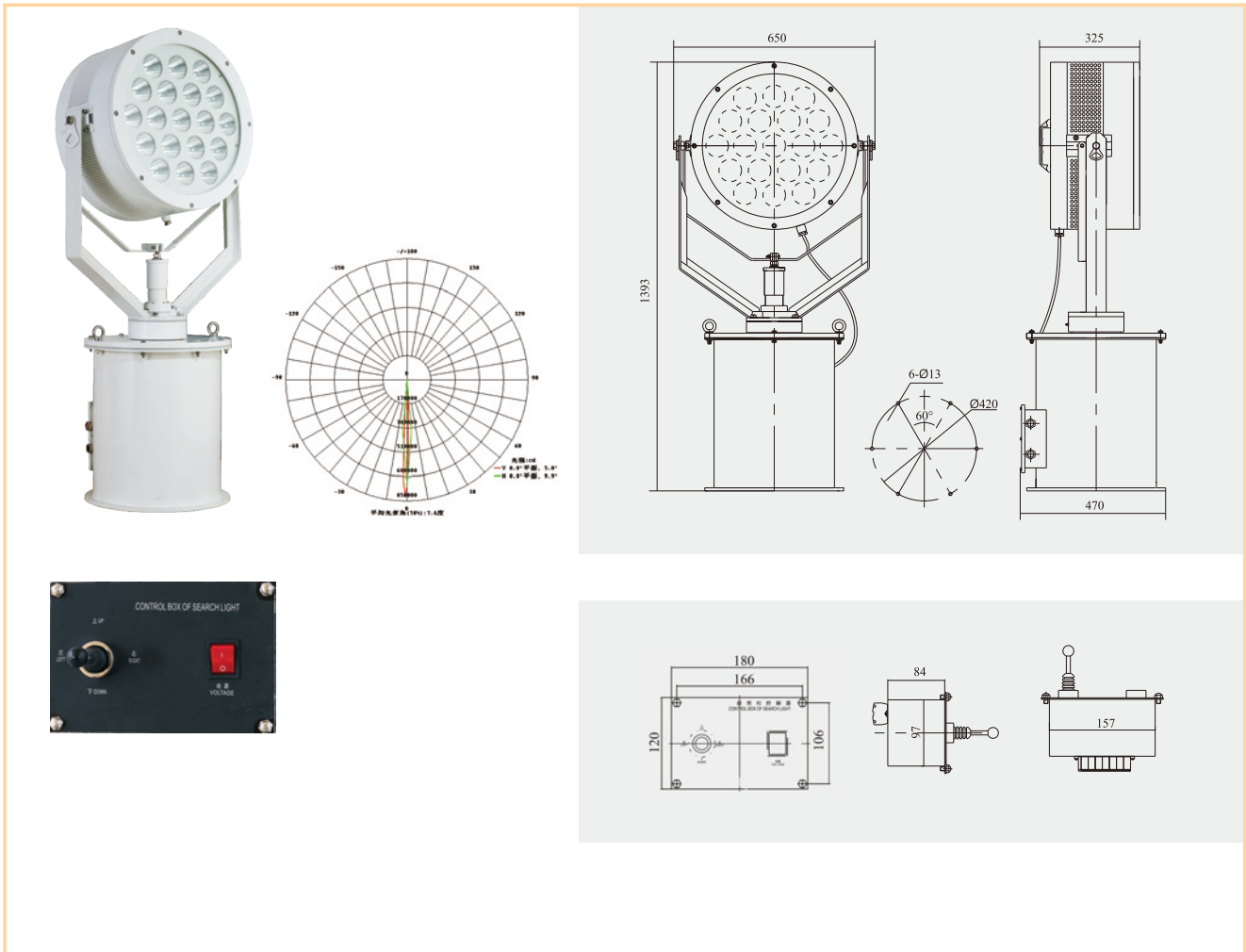
LED



适用范围 The scope of application	适用于船舶、舰艇、夜间航行作远距离探索照明用，尤其是通过狭窄航道、内河河道等比较复杂的水域时照射航道及两岸，水面搜索用；同时适用于码头、建筑工地、堆货场等露天场所做投光照明。 Applied to far distance illumination and searching when in night navigation, especially for illumination of sea-route and two banks and surface search when across the complex water area, such as narrow channel and the inland river way etc. It can also fit for the projecting illumination in outdoor place such as ship, dock port, store place and stadium.
型号 Type	MD-SHTZ2-190W
额定电压 Rated Voltage	AC100-240V,50/60HZ
功率 Power	190W
光源 Illuminant	LED
光源颜色 Illuminant Color	白 White
光源寿命 Illuminant life	≥ 50,000 h
光通量 Luminous flux (lm)	19,000lm
显色指数 Color rendering index	Ra ≥ 85
色温 Color temperature	5000K-6500K
发光强度 Light intensity	1000000cd
照射距离 Exposure distance	1000m
调节方式 Adjustment method	手动调节 Manual regulation
水平角度 Horizontal angle	水平旋转350° Horizontal rotation of 350°
垂直角度 Vertical angle	俯仰30° pitch 30°
防护等级 Protection Class	IP66
电缆外径 Cable outside Diameter	Ø9~Ø10
安装方式 Installation	底座式 The base type
环境温度 Ambient temperature	-30°C ~ +55°C
功率因数 Power factor	≥ 0.9
灯体材质 Lamp body material	不锈钢 Stainless steel
灯罩材质 Lamp shade material	钢化玻璃 Toughened glass
重量 Weight	75kg

探照灯 SEARCHLIGHT

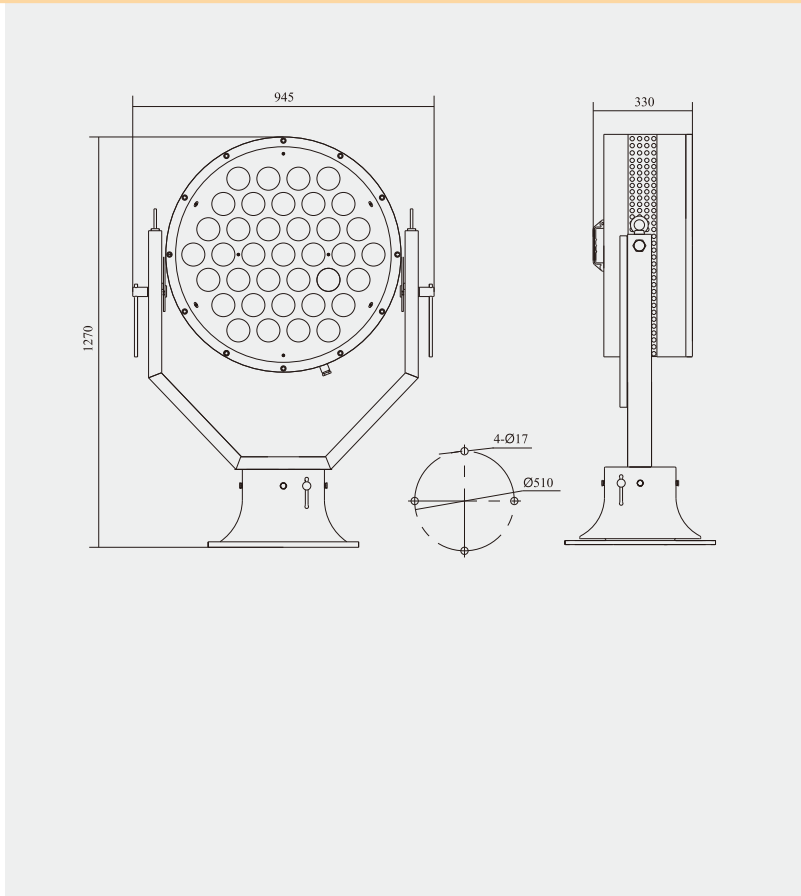
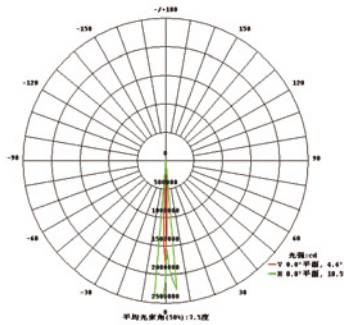
LED



适用范围 The scope of application	适用于船舶、舰艇、夜间航行作远距离探索照明用，尤其是通过狭窄航道、内河河道等比较复杂的水域时照射航道及两岸，水面搜索用；同时适用于码头、建筑工地、堆货场等露天场所做投光照明。 Applied to far distance illumination and searching when in night navigation, especially for illumination of sea-route and two banks and surface search when across the complex water area, such as narrow channel and the inland river way etc. It can also fit for the projecting illumination in outdoor place such as ship, dock port, store place and stadium.
型号 Type	MD-SHTZ2-190W-A
额定电压 Rated Voltage	AC100-240V.50/60HZ
功率 Power	190W 光源Illuminant, 120W电动机Electric motor
光源 Illuminant	LED
光源颜色 Illuminant Color	白 White
光源寿命 Illuminant life	≥ 50,000 h
光通量 Luminous flux (lm)	19,000lm
显色指数 Color rendering index	Ra ≥ 85
色温 Color temprature	5000K-6500K
发光强度 Light intensity	1000000cd
照射距离 Exposure distance	1,000m
调节方式 Adjustment method	电动调节 Electric regulation
水平角度 Horizontal angle	水平旋转350° Horizontal rotation of 350°
垂直角度 Vertical angle	俯仰30° pitch 30°
防护等级 Protection Class	IP66
电缆外径 Cable outside Diameter	Ø12~Ø14
安装方式 Installation	底座式The base type
环境温度 Ambient temperature	-30℃ ~ +55℃
功率因数 Power factor	≥ 0.9
灯体材质 Lamp body material	不锈钢 Stainless steel
灯罩材质 Lamp shade material	钢化玻璃 Toughened glass
重量 Weight	116Kg
附件 Annex	控制器 Controller

探照灯 SEARCHLIGHT

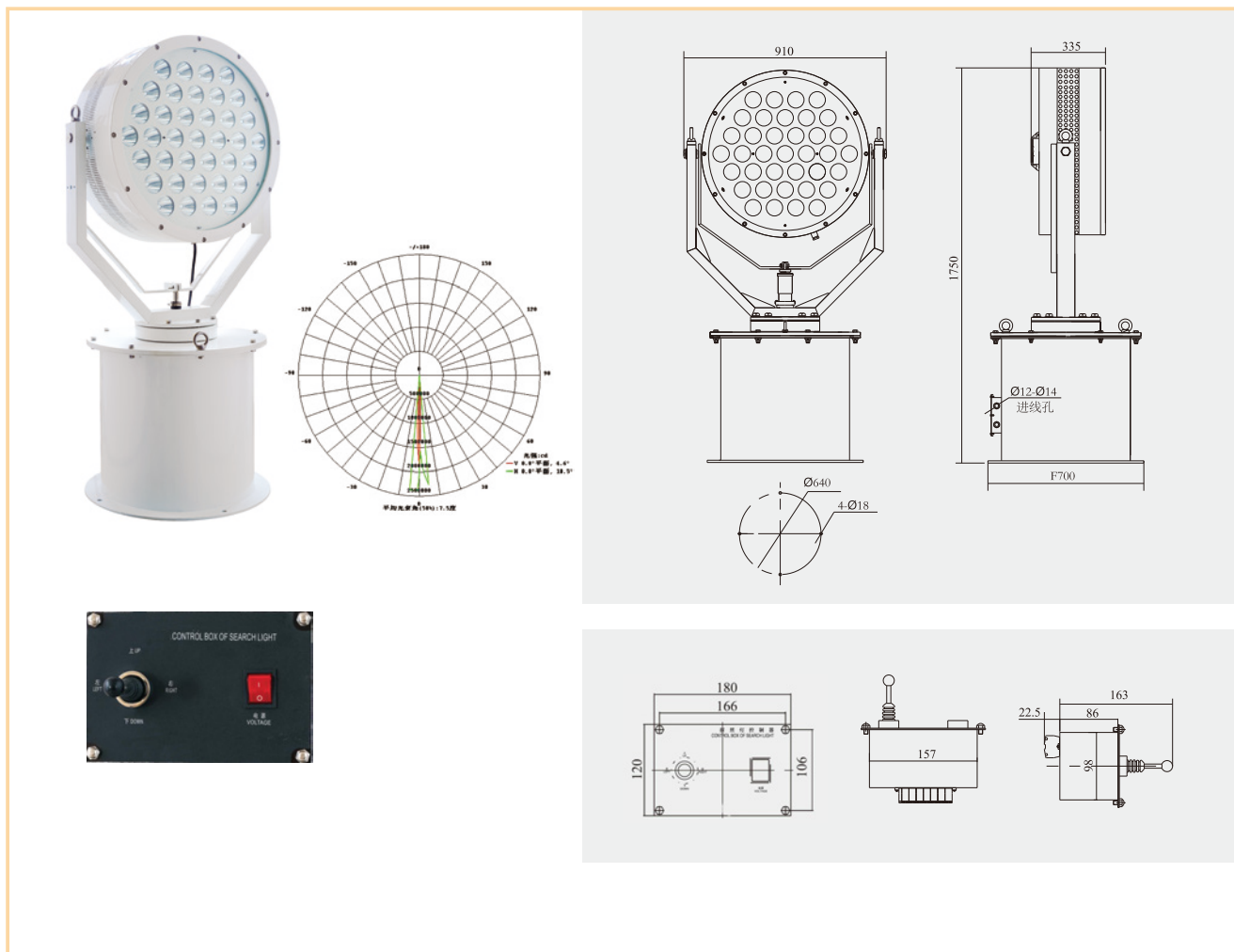
LED



适用范围 The scope of application	适用于船舶、舰艇、夜间航行作远距离探索照明用，尤其是通过狭窄航道、内河河道等比较复杂的水域时照射航道及两岸，水面搜索用；同时适用于码头、建筑工地、堆货场等露天场所做投光照明。 Applied to far distance illumination and searching when in night navigation, especially for illumination of sea-route and two banks and surface search when across the complex water area, such as narrow channel and the inland river way etc. It can also fit for the projecting illumination in outdoor place such as ship, dock port, store place and stadium.
型号 Type	MD-SHTZ6-370W
额定电压 Rated Voltage	AC100-240V.50/60HZ
功率 Power	370W
光源 Illuminant	LED
光源颜色 Illuminant Color	白色 White
光源寿命 Illuminant life	≥ 50,000 h
光通量 Luminous flux (lm)	≥ 37,000lm
显色指数 Color rendering index	Ra ≥ 85
色温 Color temperture	5000K-6500K
发光强度 Light intensity	2,000,000cd
照射距离 Exposure distance	2000m
调节方式 Adjustment method	手动调节 Manual regulation
水平角度 Horizontal angle	水平旋转350° Horizontal rotation of 350°
垂直角度 Vertical angle	俯仰30° pitch 30°
防护等级 Protection Class	IP66
电缆外径 Cable outside Diameter	Ø9 ~ Ø10.5
安装方式 Installation	底座式 The base type
环境温度 Ambient temperature	-30°C ~ +55°C
功率因数 Power factor	≥ 0.9
灯体材质 Lamp body material	不锈钢 Stainless steel
灯罩材质 Lamp shade material	钢化玻璃 Toughened glass
重量 Weight	170Kg

## 探照灯 SEARCHLIGHT

LED



适用范围 The scope of application	适用于船舶、舰艇、夜间航行作远距离探索照明用，尤其是通过狭窄航道、内河河道等比较复杂的水域时照射航道及两岸，水面搜索用；同时适用于码头、建筑工地、堆货场等露天场所做投光照明。 Applied to far distance illumination and searching when in night navigation, especially for illumination of sea-route and two banks and surface search when across the complex water area, such as narrow channel and the inland river way etc. It can also fit for the projecting illumination in outdoor place such as ship, dock port, store place and stadium.
型号 Type	MD-SHTZ6-370W-A
额定电压 Rated Voltage	AC100-240V.50/60HZ
功率 Power	370W
光源 Illuminant	LED
光源颜色 Illuminant Color	白色 White
光源寿命 Illuminant life	≥ 50,000 h
光通量 Luminous flux (lm)	≥ 37,000lm
显色指数 Color rendering index	Ra ≥ 85
色温 Color temprature	5000K-6500K
发光强度 Light intensity	2,000,000cd
照射距离 Exposure distance	2000m
调节方式 Adjustment method	电动调节 Electric regulation
水平角度 Horizontal angle	水平旋转350° Horizontal rotation of 350°
垂直角度 Vertical angle	俯仰30° pitch 30°
防护等级 Protection Class	IP66
电缆外径 Cable outside Diameter	Ø12~Ø14
安装方式 Installation	底座式 The base type
环境温度 Ambient temperature	-30℃ ~ +55℃
功率因数 Power factor	≥ 0.9
灯体材质 Lamp body material	不锈钢Stainless steel
灯罩材质 Lamp shade material	钢化玻璃 Toughened glass
重量 Weight	275kg
附件 Annex	控制器 Controller