

INDOOR PRODUCTS

4W Spotlight P15-18



RGBW GU10

RGBW MR16

ZLL Version Available

LED Bulb P19-22



RGBW LED Bulb(R60)

RGBW LED Bulb(R80)

ZLL Version Available

OUTDOOR PRODUCTS

Garden lamp P23-24



Garden lamp

Garden lamp

ZLL Version Available

Flood light P27-34



10W Flood light

20W Flood light

30W Flood light

New 50W Flood light

50W Flood light

90W Flood light

190W Flood light

ZLL Version Available

New RGBW LED Lamp

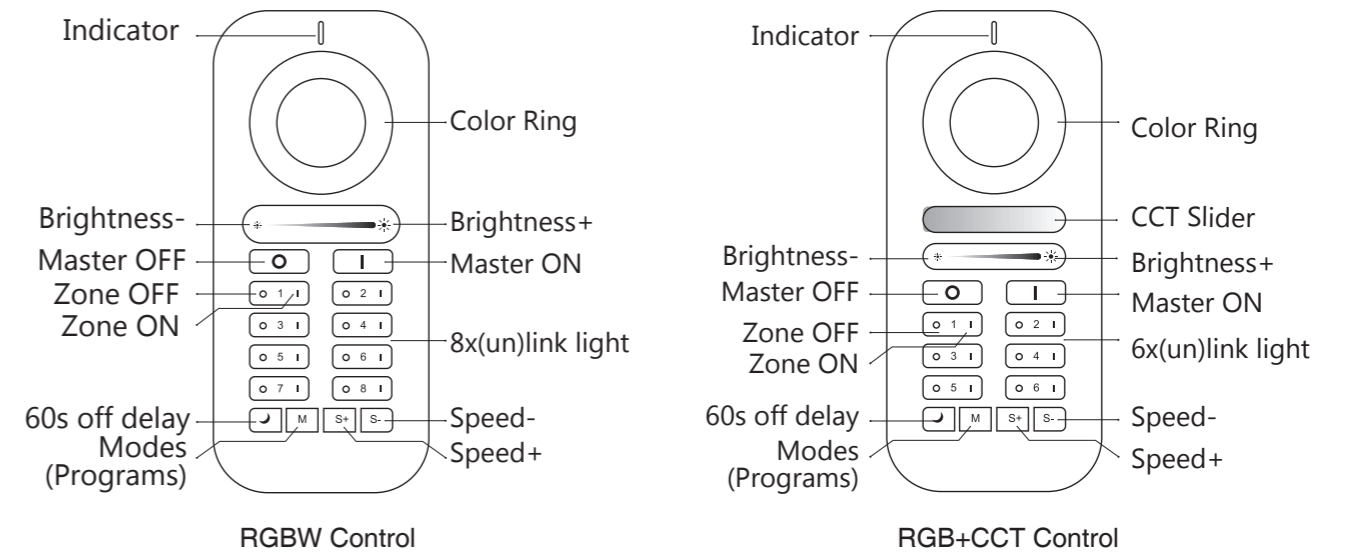


RGBW RGB+CCT Remote control

SATURATION CONTROL
6/8-ZONE CONTROL
60S OFF DELAY



NEW



Parameter

- | | | |
|--------------------------------------|-----------------------------|--------------------------------------|
| 1 / Size:18x55x130mm | 5 / Transmitting Power:6dB | 9 / Max control Range:100 feet (30m) |
| 2 / Input Voltage: 3V(2*AAA Battery) | 6 / Modulation Method:GFSK | 10 / RF Frequency:2.4GHz |
| 3 / Programs:9 kinds | 7 / Standby power:15μA | 11 / Warranty:2Years |
| 4 / Material:PC | 8 / Working Temp:-20°C~60°C | |

Battery Installation

Please take the remote control and carefully press the battery cover and push it away in a downward motion. Install two AAA batteries ,exactly match the negative (-) pole of each battery to the largest spring.Don't touch the color ring when you install the batteries.Place the battery cover back and install tightly.



Saturation control—White and RGB CO-exist(For RGBW only)

Long press M button,go to Saturation mode, r/g/b/w co-exsit, you can choose any color,and change the brightness of white.

Saturation control—White and RGB CO-exist

Long press M button,go to Saturation mode, r/g/b/c/w co-exsit, you can choose any color,and change the brightness/color-temperature of white.

Link / Unlink

Link: First power off, then power on, within 3 seconds touch any of the Zone ' | ' button 3 times shortly, the link is done when you see the light blinks 3 times,otherwise try again later.

Unlink: First power off , then power on , within 3 seconds touch the linked Zone ' | 'button or the Master ' | ' button 5 times shortly , the unlink is done when you see the light blinks 9 times, otherwise try again later.

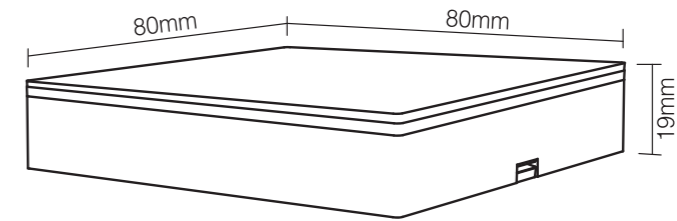
RGBW RGB+CCT Panel Remote Controller

(Battery powered verison)

{ 60s off delay
Saturation mode }



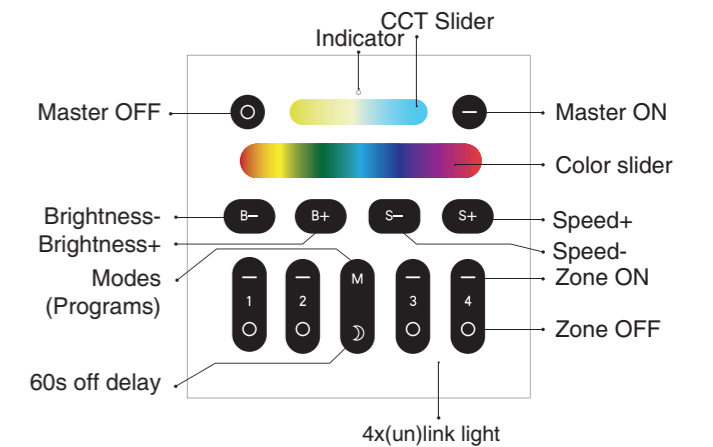
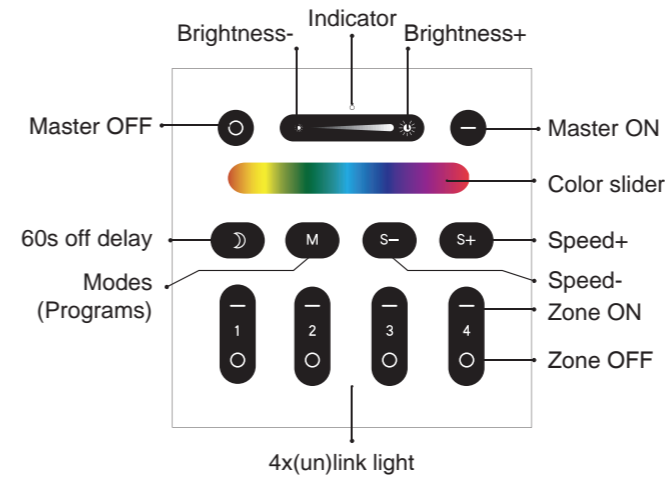
Smart Panel Remote Controller is a newly developed remote controller. This Panel remote controller is designed by a delicate and fashionable tempered glass panel; And we adopt a high precision Capacitive touch screen IC. Touch Screen is very stable;2.4GHz high RF wireless control with long distance controlling, low power consumption and high speed transmitting rate.This product widely work on our smart LED Lighting, LED Controller and Smart panel controller, etc.



Parameter

- 1 / Size: 80x80x19mm
- 2 / Working Temperature: -20~60°C
- 3 / Input Voltage: 3V(2*AAA Battery)
- 4 / Radio Frequency: 2400-2483.5MHz

- 5 / Modulation Method: GFSK
- 6 / Transmitting Power: 6dBm
- 7 / Control Distance: 30m
- 8 / Standby Power: 15uA



Link / Unlink

Link: First power off, then power on, within 3 seconds touch any of the Zone (-)button 3 times shortly, the link is done when you see the light blinks 3 times,otherwise try again later.

Unlink: First power off , then power on , within 3 seconds touch the linked Zone(-)button or the Master (-) button 5 times shortly , the unlink is done when you see the light blinks 9 times, otherwise try again later.

Progarm(s)(RGBW)

- **Program 1 (Fade in and fade out)**
Seven colors fade into each other.
- **Program 2 (Strobe white)**
Just white color Flashes up.
- **Program 3 (Color Flash)**
In this program,red,green,blue,yellow,purple,light blue,white Flashes to change.
- **Programs 4 (RGBW fade in fade out)**
This program fades in and fades out the color red,green,blue and white one after another.
- **Programs 5 (Disco)**
Different colors strobe and Flash to change randomly.
- **Programs 6 (Red light SOS mode)**
In the program,red color brightens from 0%-100% and shuts down, the Flashes three times.
- **Programs 7 (Green light SOS mode)**
In the program,green color brightens from 0%-100% and shuts down, the Flashes three times.
- **Programs 8 (Blue light SOS mode)**
In the program,blue color brightens from 0%-100% and shuts down, the Flashes three times.
- **Programs 9 (All in one)**
all the above 8 modes perform one afer another.

Progarm(s)(RGB+CCT)

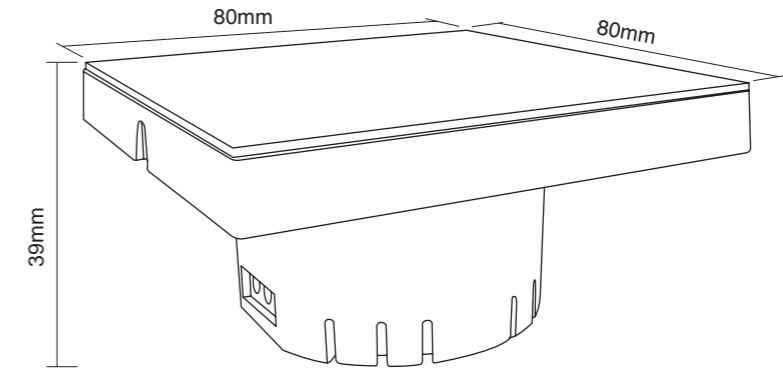
- **Program 1 (Fade in and fade out)**
Seven colors fade into each other.
- **Program 2 (Strobe white)**
warm white and cool white color Flashes up.
- **Program 3 (Color Flash)**
In this program,red,green,blue,yellow,purple,light blue,warm white and cool white Flashes to change.
- **Programs 4 (RGBW fade in fade out)**
This program fades in and fades out the color red,green,blue ,warm white and cool white one after another.
- **Programs 5 (Disco)**
Different colors strobe and Flash to change randomly.
- **Programs 6 (Red light SOS mode)**
In the program,red color brightens from 0%-100% and shuts down, the Flashes three times.
- **Programs 7 (Green light SOS mode)**
In the program,green color brightens from 0%-100% and shuts down, the lashes three times.
- **Programs 8 (Blue light SOS mode)**
In the program,blue color brightens from 0%-100% and shuts down, the Flashes three times.
- **Programs 9 (All in one)**
all the above 8 modes perform one afer another.

2.4G RF WALL TOUCH PANEL REMOTE

WITH 4-ZONE REMOTE CONTROL



Smart Panel Remote Controller is a newly developed remote controller. This Panel remote controller is designed by a delicate and fashionable tempered glass panel; And we adopt a high precision Capacitive touch screen IC. Touch Screen is very stable; 2.4GHz high RF wireless control with long distance controlling, low power consumption and high speed transmitting rate. This product widely work on our smart LED Lighting, LED Controller and Smart panel controller, etc.



Parameter

- 1 / Operating Voltage Range: 100~240 VAC
- 2 / Standby power: <0.1W
- 3 / Operating Temperature Range: -20~60°
- 4 / Maximum control Range: 100 feet (30m)
- 5 / RF Operating Frequency: 2.4GHz

- 6 / Surface material: Glass
- 7 / Body Material: PC
- 8 / Dimensions: 80X80X39mm
- 9 / Warranty: 2years
- 10 / Indoor use only

Function

1. Master On(-)/Off(O)

Acts as a master On(-)/Off(O) control for all paired RGB(W) lights. Also activates the "Master"function, which allows the remote to control the RGB(W) lights of all zones. If a zone is currently active, pressing the master On (-) button restores the "Master" function to the remote.

2. Selection LED Indicator

Flashes once to indicate when a command has been selected.

3. Brightness Touch Slider - Increase(Right Side)/Decrease(Left Side)

Increases(right side) or decreases(left side) the brightness level. Changing the active mode resets the brightness level to full.

4. Color Selection slider

Directly selects color on the bar. To obtain white light only, keep the "Zone On" (|) button depressed until the light changes to a steady bright white.

5. Mode Speed Increase(S+)/Decrease(S-)

Increases (S+)/decreases(S-) the tempo of the mode pattern currently active.

6. Mode Start/Scroll(M)

Modes feature different color combinations, light transitions, and patterns, with 9 distinct modes. This button initiates the Mode function and scrolls through the modes in ascending order.

7. Zone On(|)/Off(O) - Zones 1-4

Allows up to four "zones" (i.e. channels) of RGBW lights to be separately paired, and controlled by the remote. Pressing one of the Zone On(|) buttons activates that zone; commands will affect only lights in that zone. Once paired to a zone, lights remain paired until they are unpaired. Steadily depressing the Zone On(|) button restores the lights in that zone to white.

Link / Unlink

Pairing a Light to the Remote

1. Switch off the main power supply to the light.
2. Restore power and within 3 seconds, choosing one of the "Zone On" (|) buttons, depress the button. It will Flash white 3 times, indicating that the light is now paired to that numbered zone and can be controlled via the remote.

Activating a Zone

To activate a specific zone, depress the "Zone On" (|) button. The zone is now active and remote commands will only affect lights paired to that zone.

Unpairing a Light to the Remote

1. Switch off the main power supply to the light.
2. Restore power and within 3 seconds, depress the "Zone On" (|) button until the light Flashes 10 times, indicating that the light has been unpaired.

An unlimited number of RGBW lights can be paired to a zone, and all lights paired to that zone will respond to the commands entered on the wireless remote. Conversely, a single RGBW light can be paired to up to five remotes. Note: The wireless remote operates using radio frequency. The remote controller's use is not restricted by normal obstructions such as walls, doors, etc. Once paired they can be installed anywhere in range of the remote (up to 100 ft. or 30m)

2.4G WIRELESS

CONTROLLER



NEW FUNCTION

AUTO-TRANSFER
AUTO-SYNC

SATURATION CONTROL
60S OFF DELAY

2.4G Wireless RGB+CCT LED Controller

Input Voltage: DC12-24 V
Output Current/Channel: 6 A max.
Total Output Current: 15 A max.
Operating Temperature: -20 to +60°C
Common Anode
Constant Voltage

CE RoHS IP20

W C B G R V+

2.4G Wireless RGBW LED Controller

Input Voltage: DC12-24 V
Output Current/Channel: 6 A max.
Total Output Current: 15 A max.
Operating Temperature: -20 to +60°C
Common Anode
Constant Voltage

CE RoHS IP20

W B G R V+

2.4G Wireless RGB LED Controller

Input Voltage: DC12-24 V
Output Current/Channel: 6 A max.
Total Output Current: 15 A max.
Operating Temperature: -20 to +60°C
Common Anode
Constant Voltage

CE RoHS IP20

B G R V+

2.4G Wireless WW/CW LED Controller

Input Voltage: DC12-24 V
Output Current/Channel: 6 A max.
Total Output Current: 15 A max.
Operating Temperature: -20 to +60°C
Common Anode
Constant Voltage

CE RoHS IP20

CW V+ WW V+

2.4G Wireless LED Dimmer

Input Voltage: DC12-24 V
Output Current/Channel: 6 A max.
Total Output Current: 15 A max.
Operating Temperature: -20 to +60°C
Common Anode
Constant Voltage

CE RoHS IP20

W V+ W V+



RGB+CCT Controller



RGB Controller



RGBW Controller



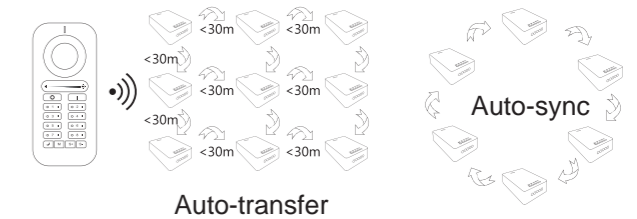
WW/CW Controller



LED Dimmer

Parameter

- 1 / Size: 23.5x48x89mm
- 2 / Input Voltage: DC12-24 V
- 3 / Output Current/Channel: 6 A max
- 4 / Protection rate: IP20
- 5 / Total Output Current: 15 A max
- 6 / Operating Temperature: -20°C~60°C
- 7 / Common Anode
- 8 / Constant Voltage



Auto-transfer

How to link:

When Switch on the lights in the zone you want to link, press zone-on button within 3 seconds, the link is done when the lights blink 3 times. The link-signal will be auto-transferred to another.

Notice:

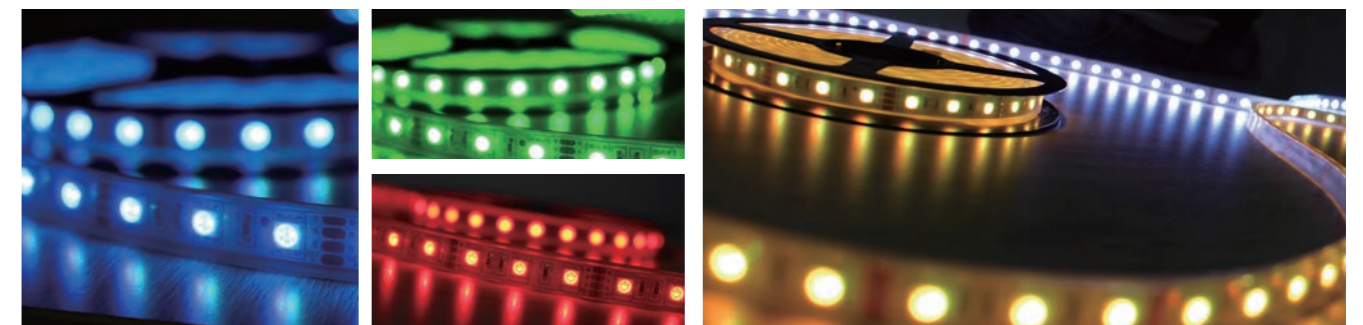
1. In the same zone. Each light only auto-transfers and response to the different signal received last time in the same zone.
2. Auto-transfer can happen among different groups, the lights receive the signal from the lights in the different zones, only transfer the signal, don't response.

How to unlink:

When Switch on the lights in the zone you want to unlink, press zone-on button 5 times within 3 seconds, the unlink is done when the lights blink 9 times. The unlink-signal will be auto-transferred to another.

Auto-sync

Each light can transmit the signal after the specific time and auto-transfer.



5 GU10 3.0W

• 6/8-ZONE CONTROL •



NEW FUNCTION

- SATURATION CONTROL
- AUTO-TRANSFER
- AUTO-SYNC
- 60S OFF DELAY

RGBW

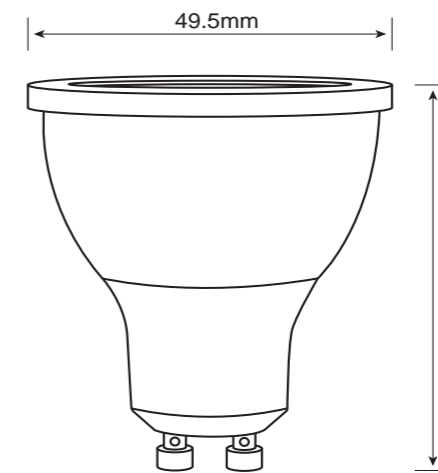
RGB+CCT



VIVID COLORS CHANGING

16 MILLION COLORS CHANGING

9 AUTOMATIC CHANGING PROGRAMS



Parameter

Size:49.5*58mm
 Input voltage:AC100~240V
 Color temperature:2700K~6500K
 Luminous Flux:300~350LM
 Beam angle:30°
 Working Temp:-20°C~60°C
 Radio frequency:2400-2483.5MHz
 Modulation mode:GFSK
 Huosing:Aluminum
 LED Quantity:3.0W RGB SMD5050 2pcs
 0.5W SMD 3030 8pcs (RGBW)
 1.0W SMD 3030 8pcs (RGB+CCT)

RGBW Saturation control—White and RGB CO-exist(For RGBW only)

Long press M button,go to Saturation mode, r/g/b/w co-exist, you can choose any color,and change the brightness of white.

RGB+CCT Saturation control—White and RGB CO-exist

Long press M button,go to Saturation mode, r/g/b/w co-exist, you can choose any color,and change the brightness/color-temperature of white.

Auto-transfer

How to link:

When Switch on the lights in the zone you want to link, press zone-on button within 3 seconds,the link is done when the lights blink 3 times.The link-signal will be auto-transferred to another.

Notice:

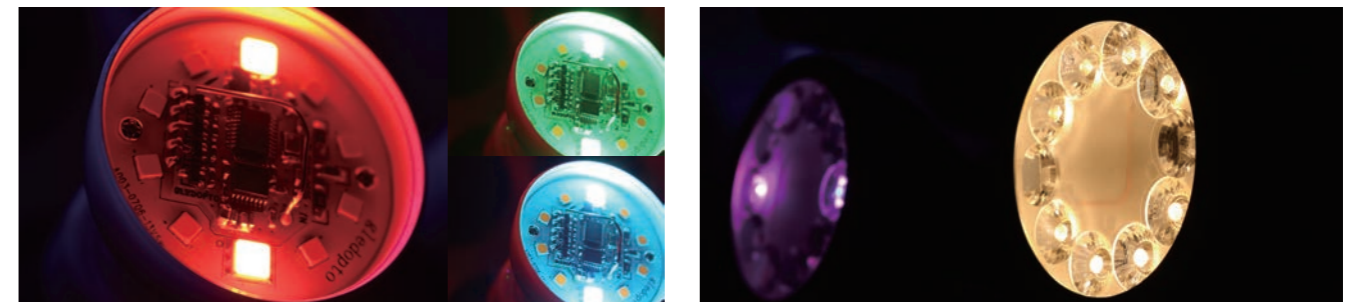
- 1.In the same zone.Each light only auto-transfers and response to the different signal received last time in the same zone.
2. Auto-transfer can happen among different groups, the lights receive the signal from the lights in the different zones, only transfer the signal, don't response.

How to unlink:

When Switch on the lights in the zone you want to unlink,press zone-on button 5 times within 3 seconds, the unlink is done when the lights blink 9 times. The unlink-signal will be auto-transferred to another.

Auto-sync

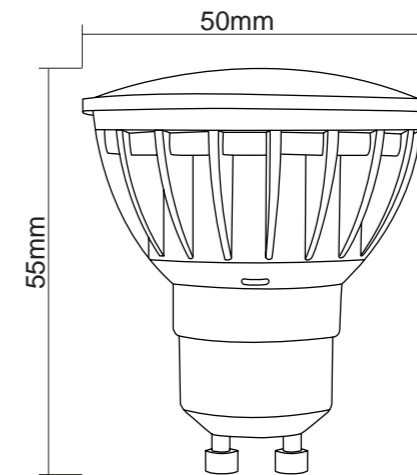
Each light can transmit the signal after the specific time and auto-transfer.





GU10 4W

WITH 8-ZONE REMOTE CONTROL
9 AUTOMATIC CHANGING PROGRAMS
16 MILLION COLORS CHANGING



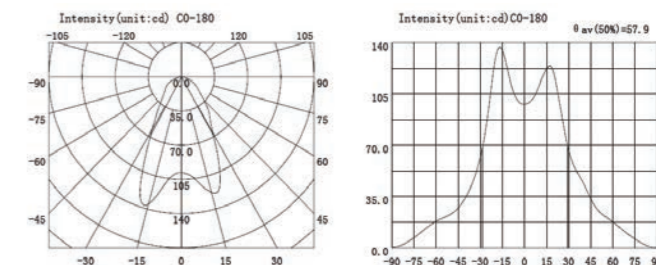
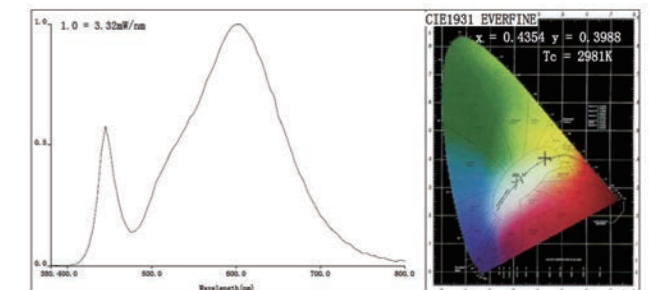
Parameter

- 1 / Name: 2.4G RF 4W RGBW LED Spotlight
- 2 / LED type: 2PCS 1.5W 5050 SMD LED
6pcs 0.5W SMD5730
- 3 / Light Flux: 200-220lm
- 4 / Lamp Base: GU10
- 5 / Power Rating: 4W
- 6 / Input Voltage: AC100-240V
- 7 / CRI: Ra > 80(white)
- 8 / Material: Aluminum housing + PMMA LENZE
- 9 / Working temp: -20~60°C
- 10 / Life span: 50,000h
- 11 / Size: W50*H55mm
- 12 / Package: 56x56x66mm
- 13 / G.W.: 0.10kg
- 14 / Remote range: 30m
- 15 / Programs: 9 kinds

Features

- 1 / Soft start,no power peak
- 2 / Power off memory
- 3 / Easy Installation
- 4 / RF 2.4GHz,remote range nearly 30m
- 5 / Remote control through internet ,
Compatible with wifi bridge
- 6 / Vivid colors changing,
9 automatic changing programs
- 7 / Two years warranty,CE,RoHS

Spectrum Curve&Distribution Curve

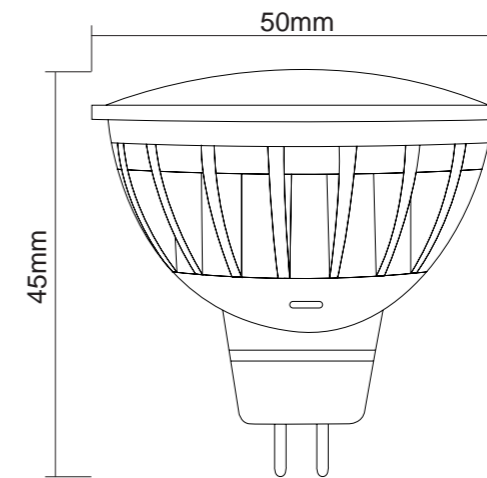


M R 16

4W • RGBW



**VIVID COLORS CHANGING
WITH 8-ZONE REMOTE CONTROL
9 AUTOMATIC CHANGING PROGRAMS**



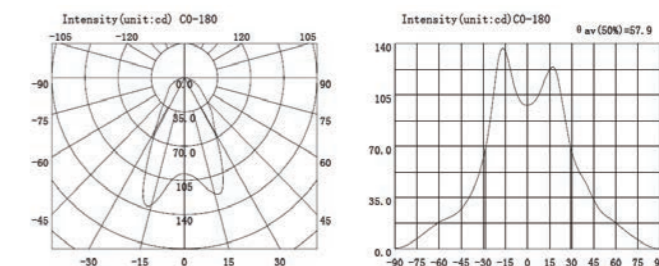
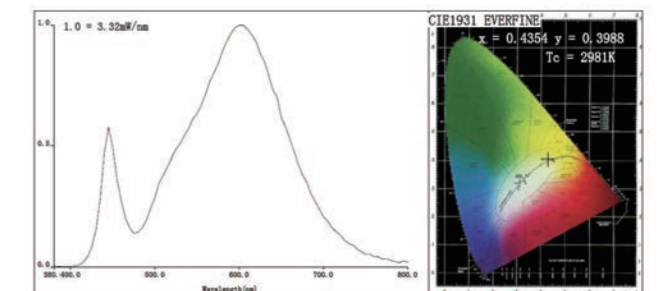
Parameter

- 1 / Name: 2.4G RF 4W RGBW LED Spotlight
- 2 / LED type: 2PCS 1.5W 5050 SMD LED
6pcs 0.5W SMD5730
- 3 / Light Flux: 200-220lm
- 4 / Lamp Base: GU5.3
- 5 / Power Rating: 4W
- 6 / Input Voltage: AC/DC 12V
- 7 / CRI: Ra > 80(white)
- 8 / Material: Aluminium housing + PMMA LENZE
- 9 / Working temp: -20~60°C
- 10 / Life span: 50,000h
- 11 / Size: W50*H45mm
- 12 / Package: 56x56x66mm
- 13 / G.W.: 0.10kg
- 14 / Remote range: 30m
- 15 / Programs: 9 kinds

Features

- 1 / Soft start,no power peak
- 2 / Power off memory
- 3 / Easy Installation
- 4 / RF 2.4GHz,remote range nearly 30m
- 5 / Remote control through internet ,
Compatible with wifi bridge
- 6 / Vivid colors changing,
9 automatic changing programs
- 7 / Two years warranty,CE,RoHS

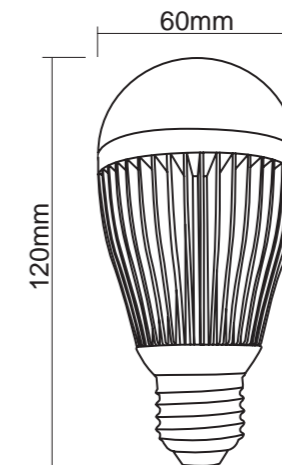
Spectrum Curve&Distribution Curve



RGBW LED BULB



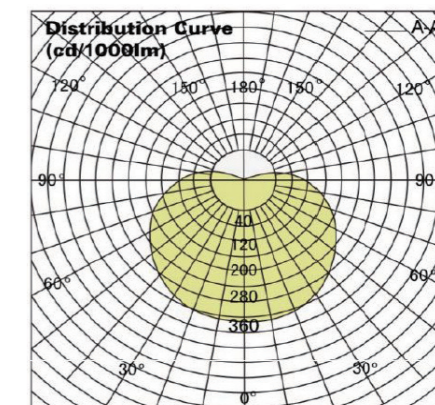
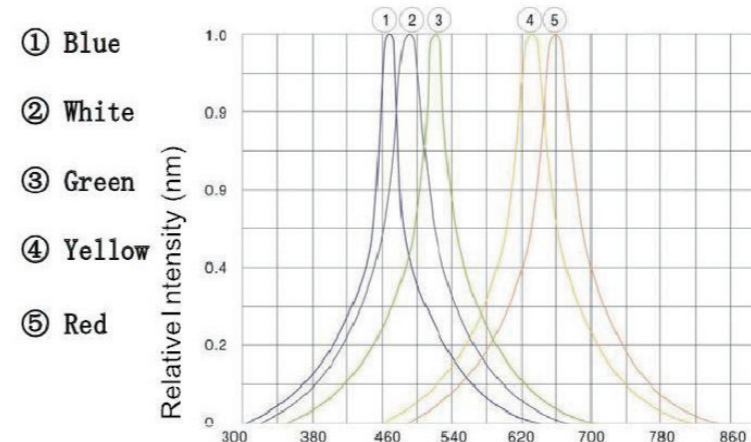
**9 PROGRAMS
VIVID COLORS CHANGING
WITH 8-ZONE REMOTE CONTROL**



Parameter

- 1 / Name: 2.4G RF 9W RGBW LED Bulb
- 2 / LED type: 4PCS 1.5W 5050 SMD LED
15pcs 0.5W SMD5730
- 3 / Base: E27/E26/B22
- 4 / Power Rating: 9W
- 5 / Cover: milky white
- 6 / Input Voltage: AC100-240V
- 7 / CRI: Ra > 80(white)
- 8 / Material: Aluminum housing + PC cover
- 9 / Working temp: -20~60°C
- 10 / Life span: 50,000h
- 11 / Size: W60*H120mm
- 12 / Package: 65x65x133mm
- 13 / G.W.: 0.16kg
- 14 / Remote range: 30m
- 15 / Programs: 9 kinds

Spectrum Curve & Distribution Curve

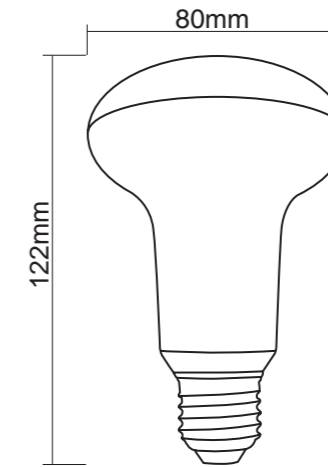


9W RGBW LED BULB

9 automatic changing programs

2.4G

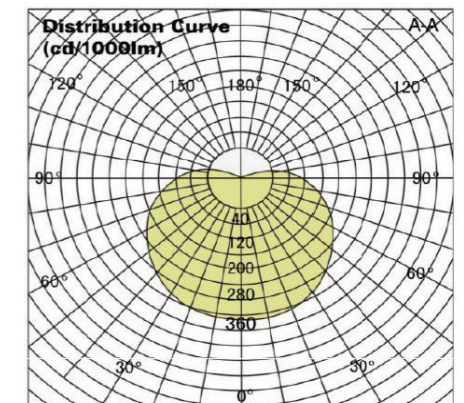
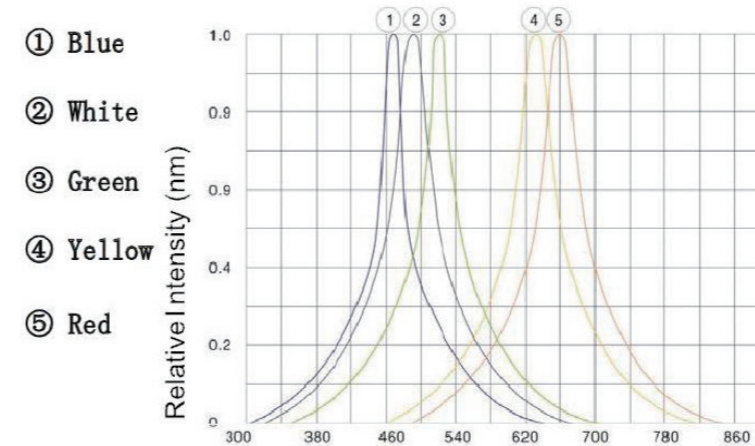
WITH 8-ZONE REMOTE CONTROL
VIVID COLORS CHANGING



Parameter

- 1 / Name: 2.4G RF 9W RGBW LED Bulb
- 2 / LED type: 4PCS 1.5W 5050 SMD LED
15pcs 0.5W SMD5730
- 3 / Base: E27/E26/B22
- 4 / Power Rating: 9W
- 5 / Cover: milky white
- 6 / Input Voltage: AC100-240V
- 7 / CRI: Ra > 80(white)
- 8 / Material: Aluminium housing + PC cover
- 9 / Working temp: -20~60°C
- 10 / Life span: 50,000h
- 11 / Size: W80*H122mm
- 12 / Package: 80x80x140mm
- 13 / G.W.: 0.16kg
- 14 / Remote range: 30m
- 15 / Programs: 9 kinds

Spectrum Curve & Distribution Curve





OUTDOOR PRODUCTS



2.4G RF RGBW LED GARDEN LAMP

WITH 8-ZONE REMOTE CONTROL

9_w



Parameter

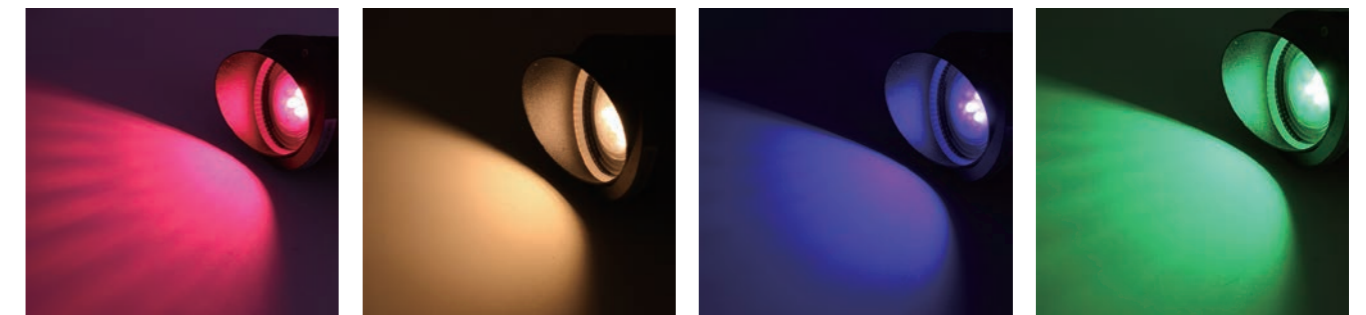
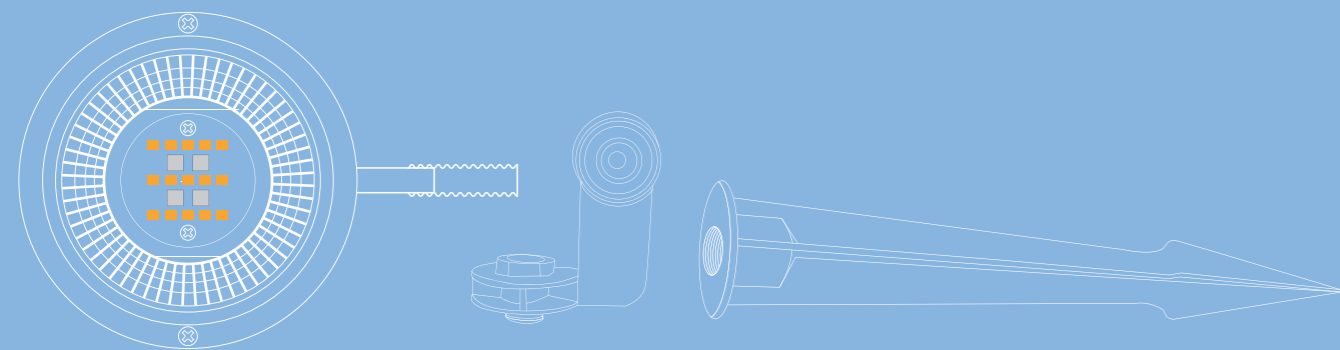
- 1 / Name: 2.4G RF 9W RGBW LED Garden lamp
- 2 / LED type: 4PCS 1.5W 5050 SMD LED + 15pcs 0.5W SMD2835
- 3 / Luminous Flux: 800-850LM
- 4 / Plug type: 3m long cable(IP44 EU plug /American plug)
- 5 / Power Rating: 9W
- 6 / Input Voltage: AC100-240V
- 7 / CRI: Ra > 80 (white)
- 8 / Material : Aluminium housing + PMMA LENZE
- 9 / Cover: Transparent
- 10 / Working temp: -20~60°C
- 11 / Life span: 50,000h
- 12 / Size: W105*H400mm
- 13 / Package: 185*175*112mm
- 14 / G.W.: 1.25kg
- 15 / Remote range: 30m
- 16 / Programs: 9 kinds
- 17 / Beam angle: 60°



Features

- Soft start,no power peak
- Power off memory
- Easy Installation
- RF 2.4GHz,remote range nearly 30m
- Remote control through internet ,Compatible with wifi bridge
- Vivid colors changing,9 automatic changing programs
- Three years warranty,CE,RoHS

Four kinds of plug specifications for your choice



NEW 50W RGBW FLOOD LIGHT

YOU CAN STAY IN ANY COLOR

ENJOY THE CONVENIENT LIFE BRING BY TECHNOLOGY

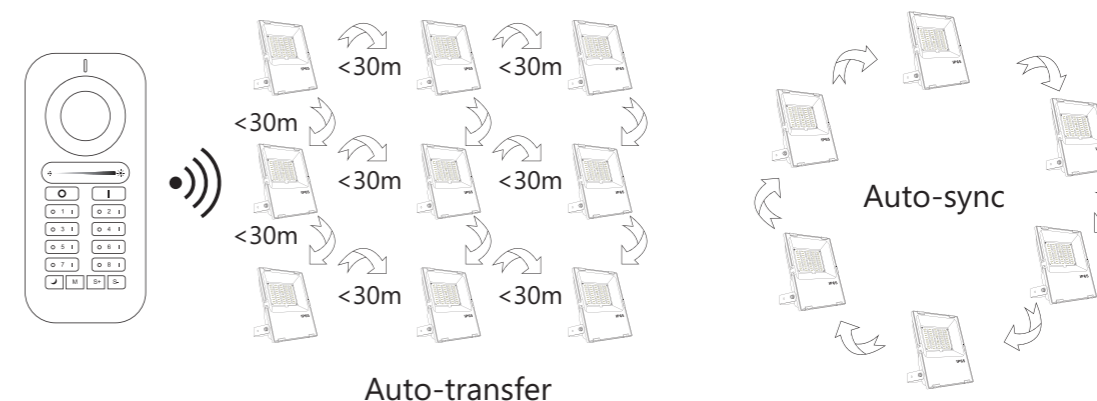
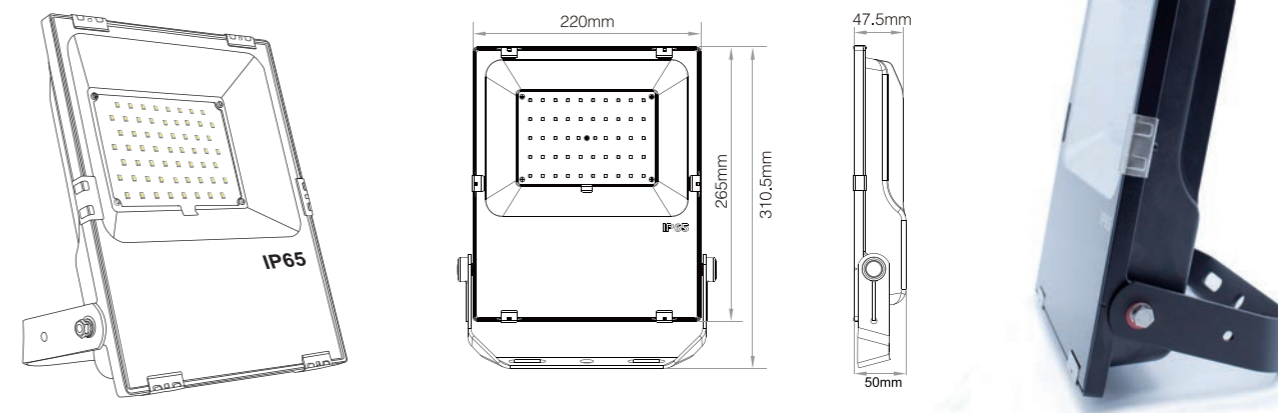
WITH 8-ZONE REMOTE CONTROL



Parameter

- 1 / Power:50W, 20W each color, 30W white EPISTAR
- 2 / Remote range:30 meters
- 3 / Input voltage:AC100-240V Mean Well driver
- 4 / Material:Aluminum,toughened glass
- 5 / LED color:RGBW
- 6 / Package:355x255x58mm
- 6 / Net weight:1500g
- 7 / Gross weight:1800g
- 8 / Working temp:-20°C~60°C
- 9 / Life span:50,000h
- 10 / Compatible with wifi bridge
- 11 / Warm white 3000~3500lm

DIMENSIONS:



Auto-transfer

How to link:

When Switch on the lights in the zone you want to link, press zone-on button within 3 seconds,the link is done when the lights blink 3 times.The link-signal will be auto-transferred to another.

Notice:

- 1.In the same zone.Each light only auto-transfers and response to the different signal received last time in the same zone.
2. Auto-transfer can happen among different groups, the lights receive the signal from the lights in the different zones, only transfer the signal, don't response.

How to unlink:

When Switch on the lights in the zone you want to unlink,press zone-on button 5 times within 3 seconds, the unlink is done when the lights blink 9 times. The unlink-signal will be auto-transferred to another.

Auto-sync

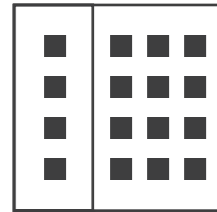
Each light can transmit the signal after the specific time and auto-transfer.

Saturation control—White and RGB CO-exist

Long press M button,go to Saturation mode.

10W FLOOD LIGHT

Item No.:MD-FL-001

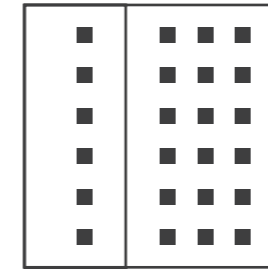


EPILEDS



20W FLOOD LIGHT

Item No.:MD-FL-002



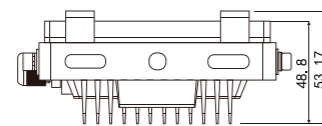
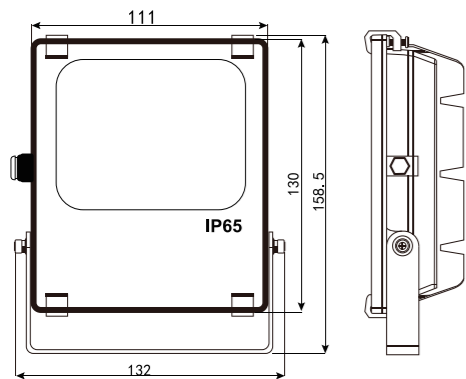
EPILEDS



Parameter

- 1 / Power: 10W RGBWX1 EPILEDS
- 2 / Remote range: 30 meters
- 3 / Input voltage: AC100-240V (optional)
- 4 / Material: Aluminum,toughened glass
- 5 / LED color:RGBW
- 6 / Working temp: -20~60°C
- 7 / Life span: 50,000h
- 8 / Package: 187x132x60mm
- 9 / Net weight: 650g
- 10 / Gross weight: 750g
- 11 / Compatible with wifi bridge
- 12 / Red 250-300lm Green 200-300lm
Blue 60-80lm white 360-450lm

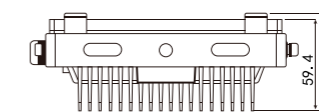
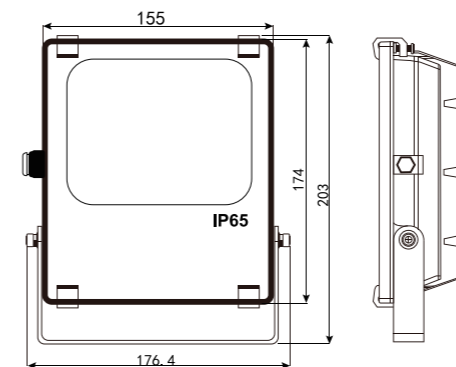
DIMENSIONS:



Parameter

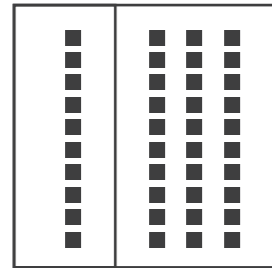
- 1 / Power: 20W RGB+8W warmwhite 2700K EPILEDS
- 2 / Remote range: 30 meters
- 3 / Input voltage: AC100-240V (Mean Well driver)
- 4 / Material: Aluminum,toughened glass
- 5 / LED color:RGBW
- 6 / Working temp: -20~60°C
- 7 / Life span: 50,000h
- 8 / Package: 232x176x68mm
- 9 / Net weight: 1230g
- 10 / Gross weight: 1300g
- 11 / Compatible with wifi bridge
- 12 / warm white 600-650lm Red 500-600lm
Green 400-500lm Blue 120-150lm

DIMENSIONS:



30W FLOOD LIGHT

Item No.:MD-FL-003

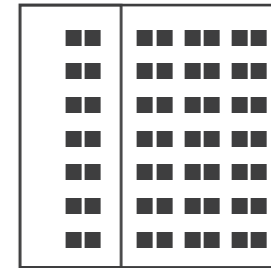


EPILEDS



50W FLOOD LIGHT

Item No.:MD-FL-004



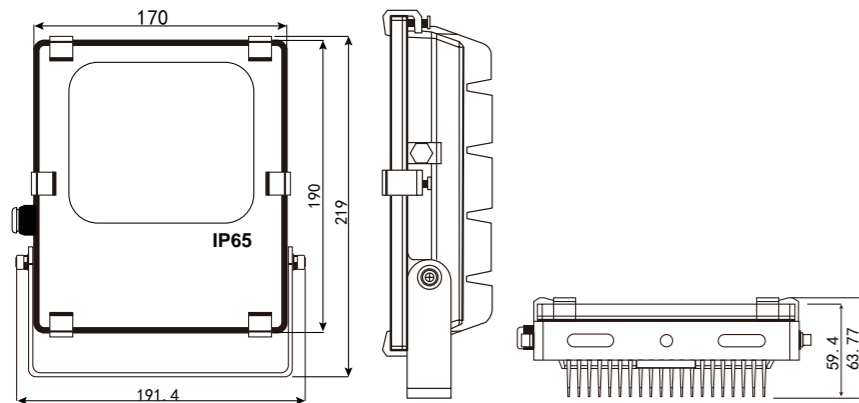
EPILEDS



Parameter

- 1 / Power:30W RGB+10W warmwhite 2700K EPILEDS
- 2 / Remote range: 30 meters
- 3 / Input voltage: AC100-240V (Mean Well driver)
- 4 / Material: Aluminum,toughened glass
- 5 / LED color:RGBW
- 6 / Working temp: -20~60°C
- 7 / Life span: 50,000h
- 8 / Package: 248x194x68mm
- 9 / Net weight: 1500g
- 10 / Gross weight: 1800g
- 11 / Compatible with wifi bridge
- 12 / Warm white 750~800lm Red 700-800lm
Green 600-700lm Blue 200-250lm

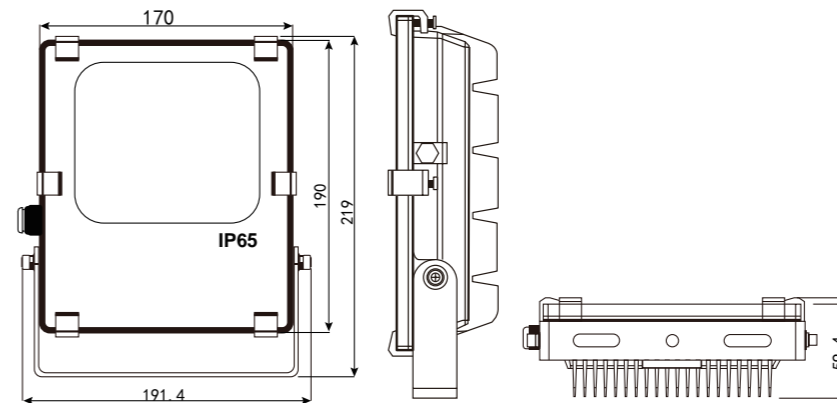
DIMENSIONS:



Parameter

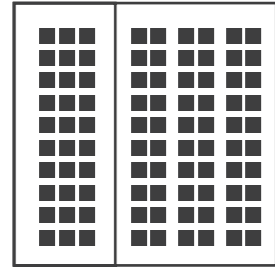
- 1 / Power:50W RGB+16W warmwhite 2700K EPILEDS
- 2 / Remote range: 30 meters
- 3 / Input voltage: AC100-240V (Mean Well driver)
- 4 / Material: Aluminum,toughened glass
- 5 / LED color:RGBW
- 6 / Working temp: -20~60°C
- 7 / Life span: 50,000h
- 8 / Package: 248x194x68mm
- 9 / Net weight: 1500g
- 10 / Gross weight: 1800g
- 11 / Compatible with wifi bridge
- 12 / Warm white 1100~1200lm Red 1000-1100lm
Green 900-1000lm Blue 300-400lm

DIMENSIONS:



90W FLOOD LIGHT

Item No.:MD-FL-005

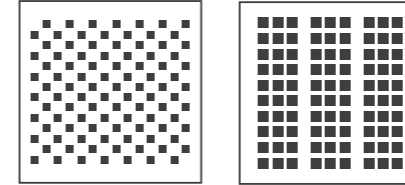


EPILEDS



190W FLOOD LIGHT

Item No.:MD-FL-008



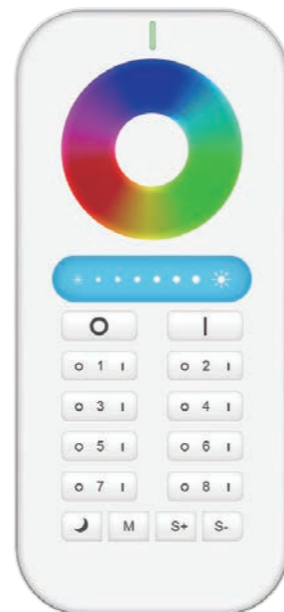
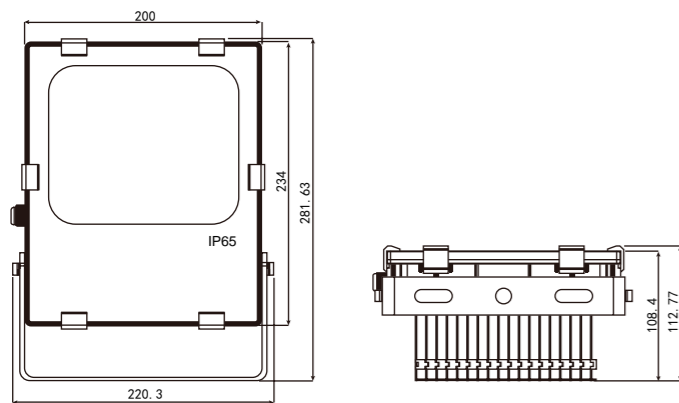
EPILEDS



Parameter

- 1 / Power:60W RGB+30W warmwhite 2700K EPILEDS
- 2 / Remote range: 30 meters
- 3 / Input voltage: AC100-240V (Mean Well driver)
- 4 / Material: Aluminum,toughened glass
- 5 / LED color:RGBW
- 6 / Working temp: -20~60°C
- 7 / Life span: 50,000h
- 8 / Package: 290x255x125mm
- 9 / Net weight: 2600g
- 10 / Gross weight: 3000g
- 11 / Compatible with wifi bridge
- 12 / Warm white 2400~2700lm Red 1200-1300lm
Green 1000-1100lm Blue 350-450lm

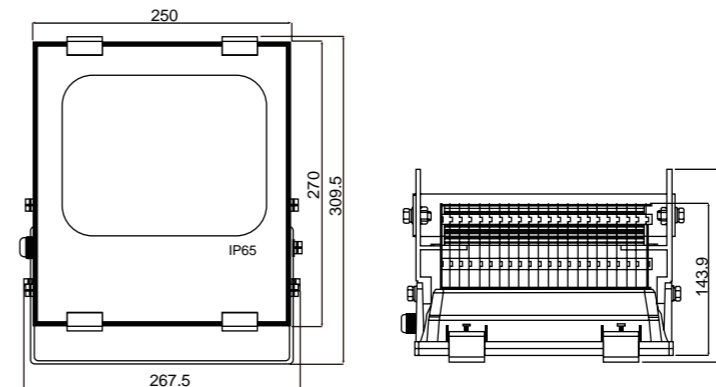
DIMENSIONS:



Parameter

- 1 / Power:90W RGB+100W warmwhite 2700K EPILEDS
- 2 / Remote range: 30 meters
- 3 / Input voltage: AC100-240V (Mean Well driver)
- 4 / Material: Aluminum,toughened glass
- 5 / LED color:RGBW
- 6 / Working temp: -20~60°C
- 7 / Life span: 50,000h
- 8 / Package: 370x350x250mm
- 9 / Net weight: 5000g
- 10 / Gross weight: 6000g
- 11 / Compatible with wifi bridge
- 12 / Warm white 7000~7500lm (2700-3000K)
Red 1000-1200lm Green 2000-2200lm
Blue 400-500lm

DIMENSIONS:



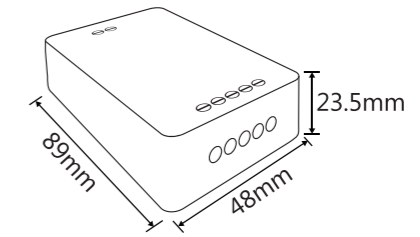
Four kinds of plug specifications for your choice





LED CONTROLLER ZIGBEE LIGHT LINK COMPATIBLE

Size: 23.5x48x89mm
 Input Voltage: DC12-24 V
 Output Current/Channel: 6 A max
 Protection rate: IP20
 Total Output Current: 15 A max
 Operating Temperature: -20°C~60°C
 Common Anode
 Constant Voltage



Thanks for buying our products.

In this manual we will explain the connection of wires and the connection with a ZigBee Light Link Gateway. These devices work with many ZigBee Light Link Gateways* like Philips Hue, OsramLightify** or IKEA Tradfri***.

Wire Connection:

1. Please prepare the cable like picture P1 and strip the isolation to 9-10 mm. The cable cross-section must be between 0,33 and 2,08mm²(AWG22-14).
2. Now push down the terminal with a screwdriver and put in the cable, see picture P2.
3. Take the screwdriver away and the cable is connected with the terminal.

On picture P3-P7 you can see examples for the connection of different LED controllers:

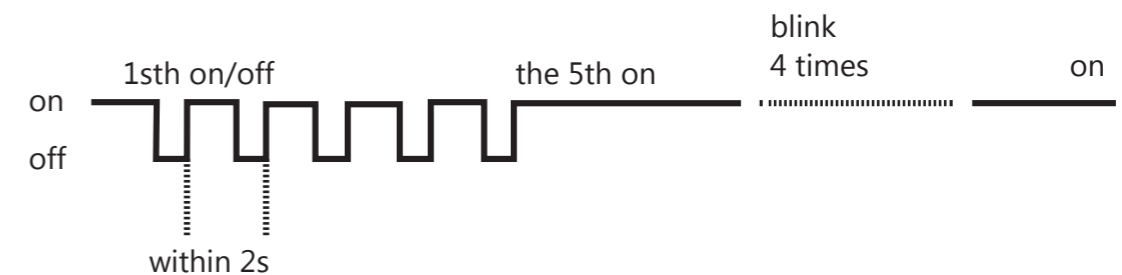
- P3 for RGBW/RGBWW products
- P4 for RGB products, use a RGBW controller and don't connect the wire W
- P5 for single color LED product, use a RGBW controller and don't connect the wire R, G, B
- P6 for RGB+CCT(warmwhite+coldwhite) products
- P7 for CCT(warmwhite+coldwhite) products

Connection with Gateway:

1. Connect the LED product to the controller see section "wire connection".
2. Start the device searching on the ZigBee Light Link Gateway, it could take some time. If the Gateway does not find the device, plug power off/on or make a reset.
3. The Gateway found your device and you can assign it to the different rooms/zones/groups.
4. Now you can use the device.

Reset:

1. Switch on your device.
2. Now switch off and on within 2 seconds.
3. Repeat off/on four times.
4. Reset is done when the device is switched on in the fifth time and the light stays on after blinking 4 times.



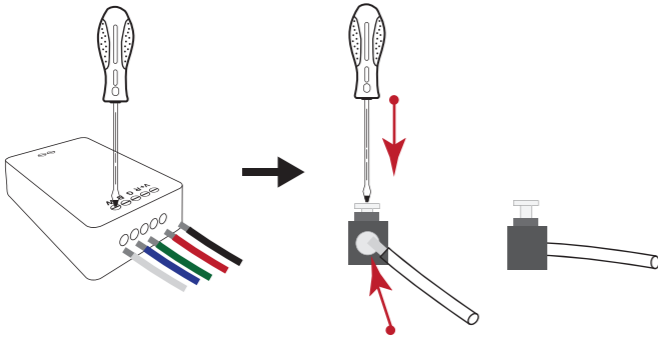
*For RGBW/RGBWW devices you will find two SSIDs. One for white/warmwhite, the other for RGB.

**The Osram Gateway supports only one SSID, with the RGBW/RGBWW device it finds only RGB.

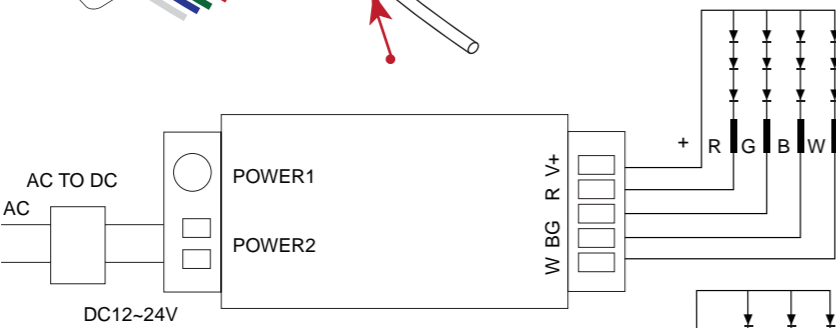
***IKEA Gateway will support RGB devices till the end of the year 2017.

P1

Wire preparation
 □ 0.33-2.08mm²
 9-10mm



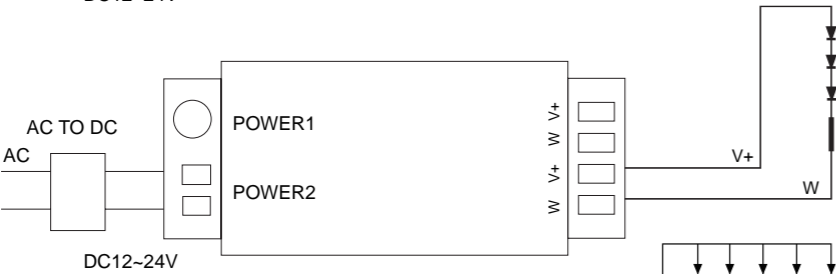
P2



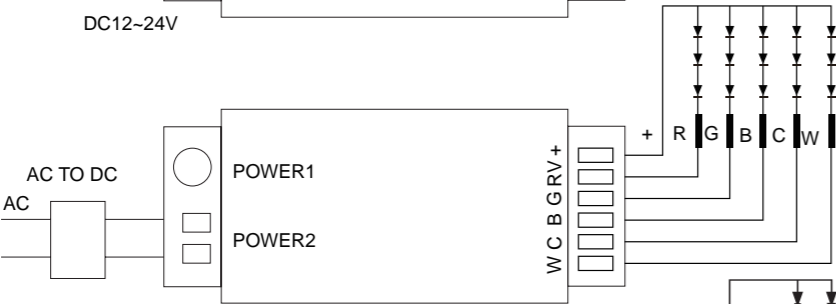
P3



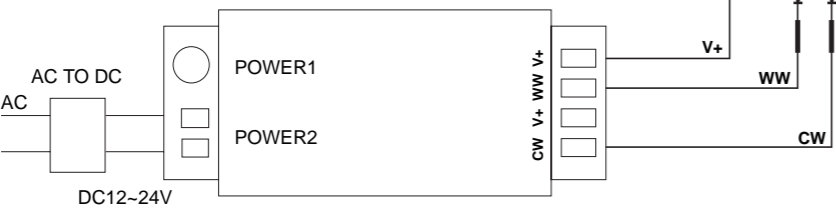
P4



P5



P6



P7